

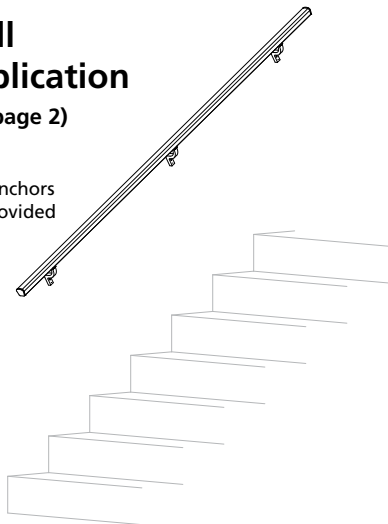
Continuous Handrail Kit Installation Guide

 Canadian Version

Wall Application

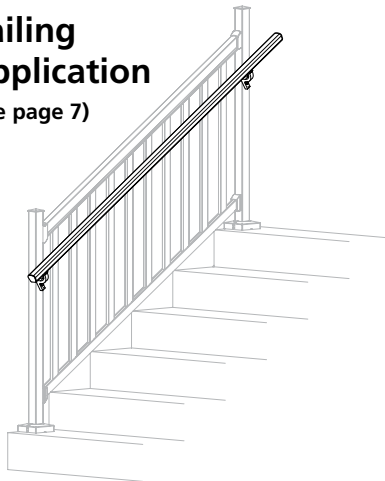
(see page 2)

Wall anchors
not provided



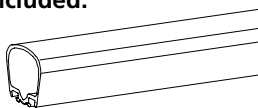
Railing Application

(see page 7)

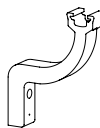


Hardware included:

1x 8' Handrail



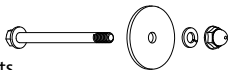
3x Brackets
(fits up to a
5/16" fastener)



1x Splice



3x 1/4" x 3-1/8" Bolts
with washers,
lock washers & nuts



2x End caps



6x #8 x 1"
Self-tapping
screws



⚠ WARNING No representation or warranty is given that your particular application of these products complies with relevant building codes or that the fasteners provided or used are appropriate for your application. Consult with professionals and local building officials before beginning work: (i) to ensure compliance with relevant building codes for your application and for your proposed use of fasteners; (ii) to ensure the integrity of the structural components in connection with which these products are to be used; (iii) to identify appropriate safety gear that is to be used during installation such as a safety harness when working above ground; (iv) to ensure that the work area is free from utilities, services and hazards; and (v) to clarify any instructions or warnings that may not be clear. Work in a safe manner wearing protective gear such as gloves, eyewear, headwear, footwear and clothing. When using tools comply with operation manuals and instructions. Metal and glass may have sharp edges and could fragment or splinter during or as a result of handling or cutting. Do not use these products in connection with any substance that is or may be harmful or corrosive to the products. Inspect and maintain these products and the structural components that they are used in connection with on a regular basis, using professionals when appropriate. Obtain professional advice for any non-standard or non-residential application.

No member of The Peak Group of Companies (as defined at www.peakproducts.com) shall be liable for any loss or damage resulting from the improper installation or use of this product. In the unlikely event that any member of The Peak Group of Companies becomes liable for any loss or damage, the aggregate liability shall be limited to the retail purchase price of the product.

Peak products and associated materials are protected by patents, designs, copyrights and/or trademarks used under license from Peak Innovations Inc.

Wall Application

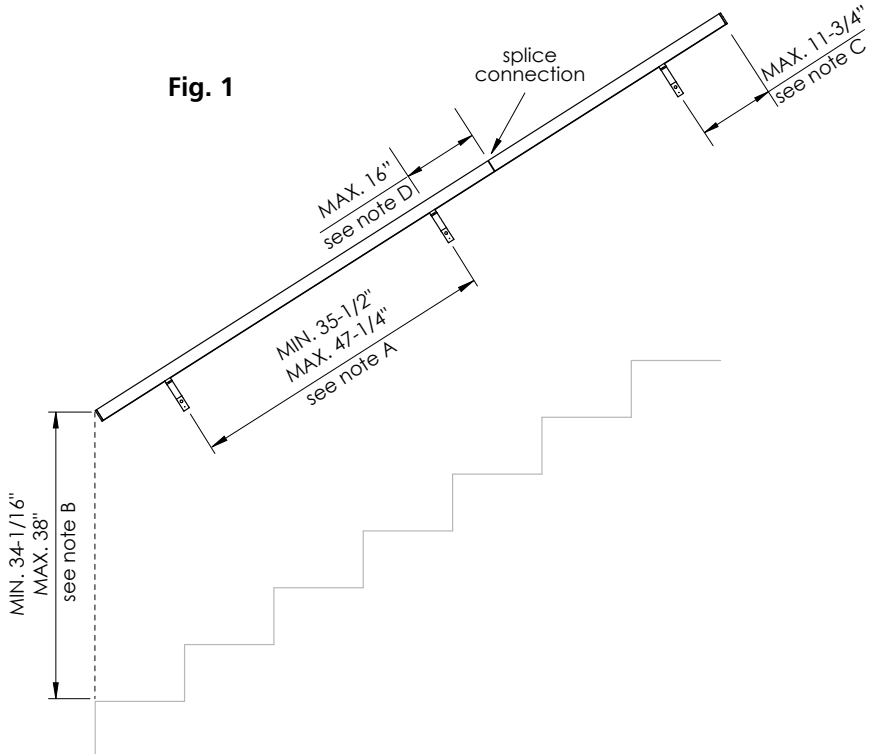
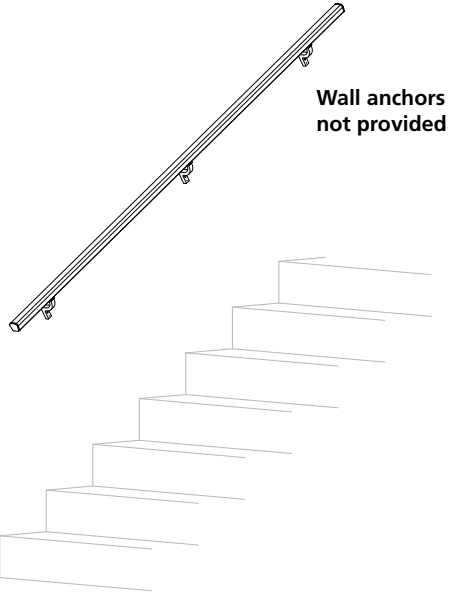
IMPORTANT INFORMATION

For RESIDENTIAL use only:

- For use with stairs or ramps serving a single dwelling unit.

As shown in Fig. 1 below:

- A. bracket spacing must be between 35-1/2" and 47-1/4" on centre
- B. height of top of handrail shall be between 34-1/16" and 38" above nose of stair tread or ramp
- C. end of handrail shall not extend more than 11-3/4" past the end of the bracket
- D. splice connections shall be located between any 2 brackets, and no more than 16" from any one bracket



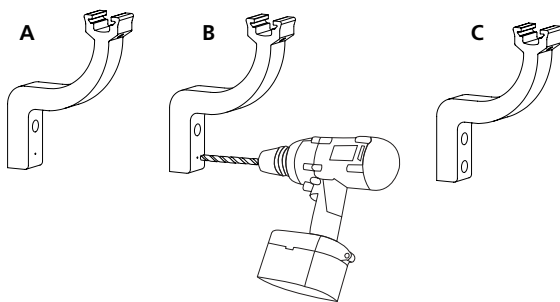
Tools and materials required:

- Wall anchors (and installation tools)
- Measuring tape
- Mitre saw
- Drill, 9/64" & 11/32" drill bits
- Square
- Safety glasses
- Square #2 bit
- Pencil

1. Determine the quantity of 8' Continuous Handrail Kits and wall anchors (not provided) you will need. **Note:** spans greater than 8' will require multiple kits.

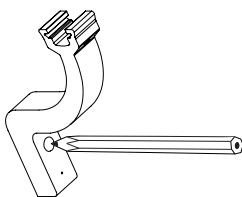
2. ▲IMPORTANT Only complete this step if your installation requires 2 wall anchors for each bracket (check local building codes).

Drill an 11/32" hole at marked location on each bracket.



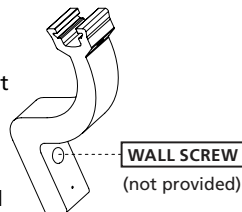
3. Measure and mark the position of all brackets on the wall.

▲IMPORTANT Height of top of handrail shall be between 34-1/16" and 38" above nose of stair tread or ramp. Bracket spacing must be between 35-1/2" and 47-1/4" on centre (see Fig. 1 on page 2).



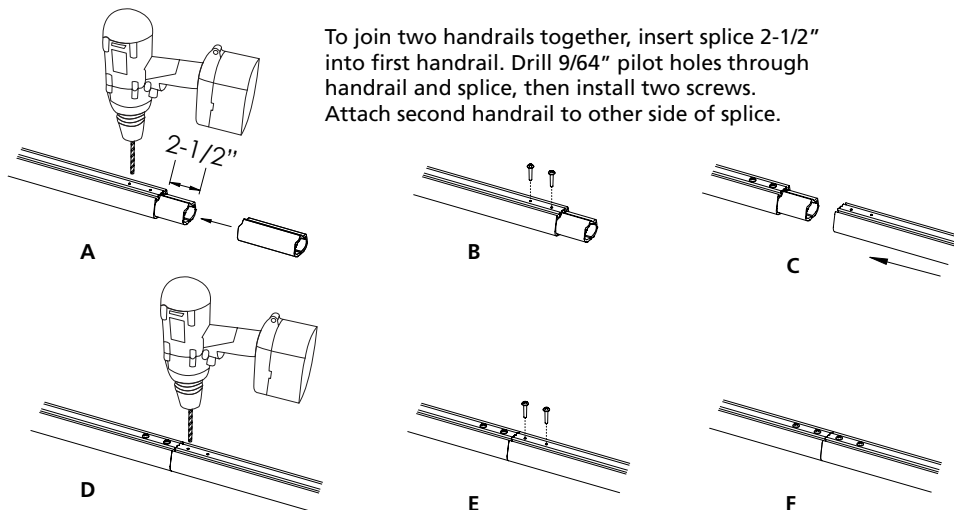
4. Starting at the top, fasten the top bracket to the wall. Tighten until the bracket is secure but can rotate freely.

▲IMPORTANT Follow manufacturer's instructions for wall anchor installation.

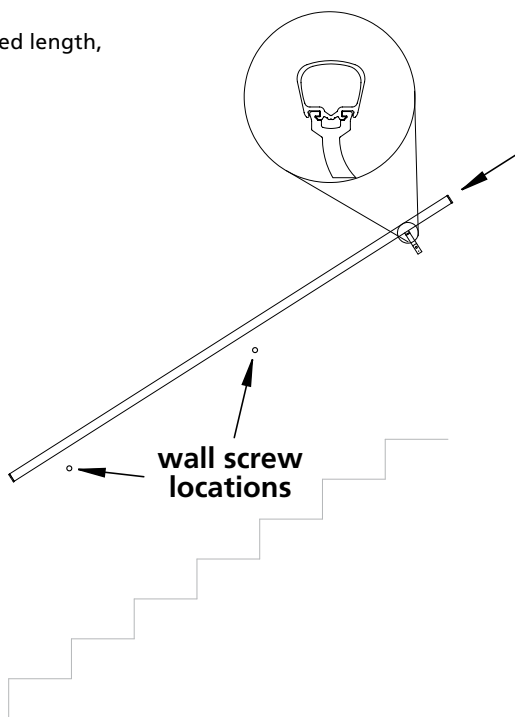
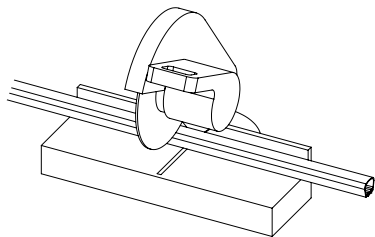


5. ▲IMPORTANT Only complete this step for handrails longer than 8'.

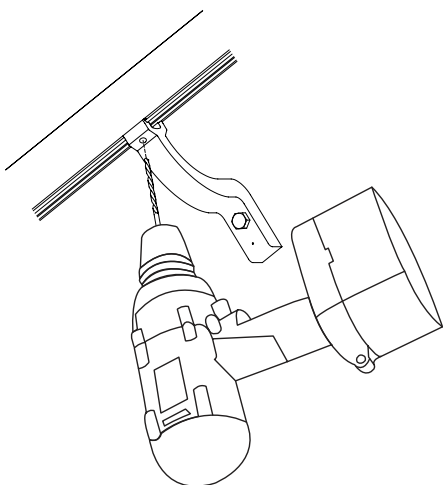
To join two handrails together, insert splice 2-1/2" into first handrail. Drill 9/64" pilot holes through handrail and splice, then install two screws. Attach second handrail to other side of splice.



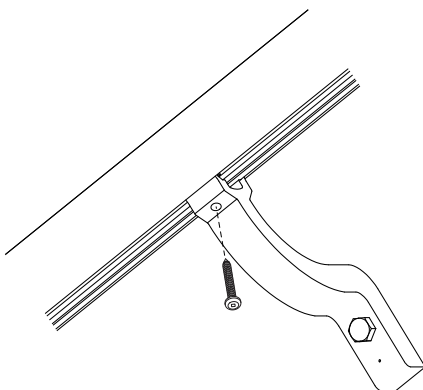
6. Measure and cut the handrail to the desired length, then slide the handrail onto the bracket.



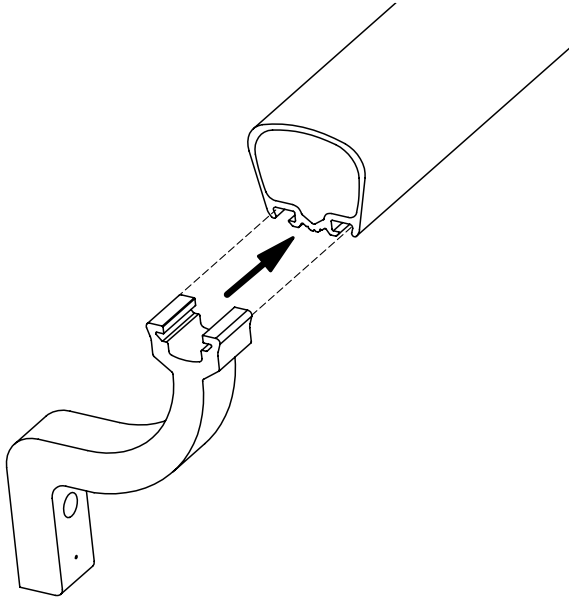
7. Once in position, drill a 9/64" pilot hole through the bracket and into the handrail.



8. Fasten the bracket to the handrail with a #8 x 1" screw (provided).



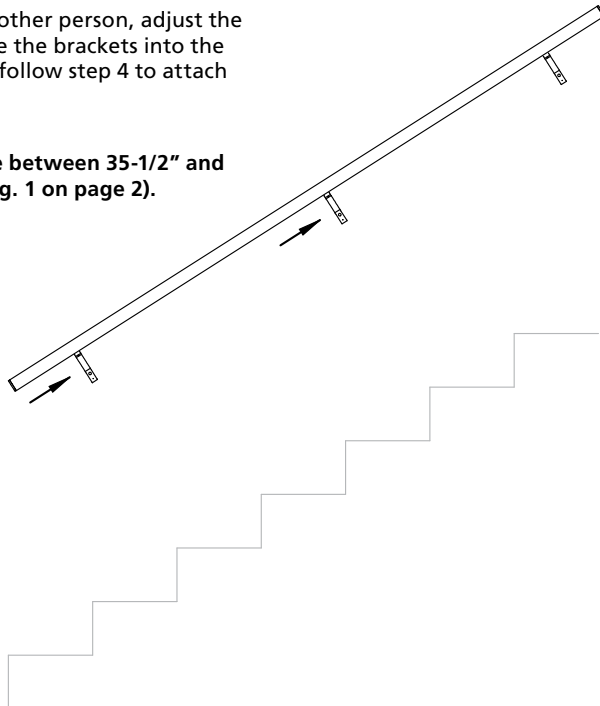
9. From the opposite end, slide the required number of brackets into the handrail channel.



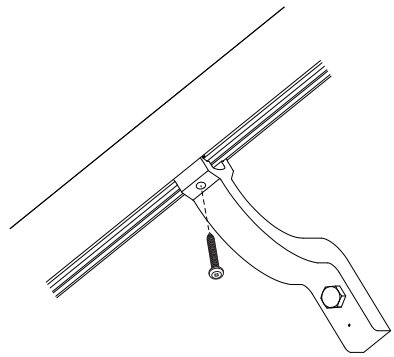
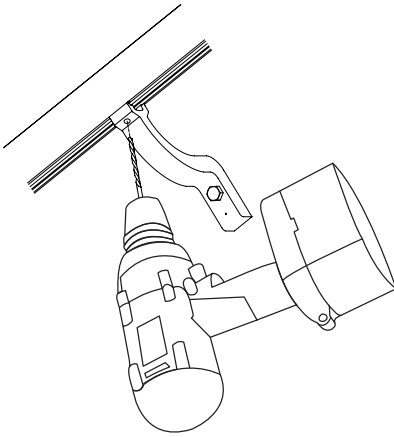
10. With the help of another person, adjust the handrail height and slide the brackets into the marked positions. Then follow step 4 to attach the brackets to the wall.

▲IMPORTANT

Bracket spacing must be between 35-1/2" and 47-1/4" on centre (see Fig. 1 on page 2).

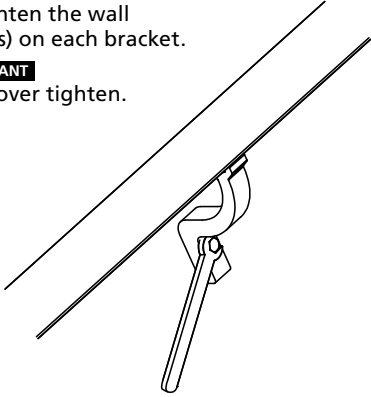


11. Follow steps 7 and 8 to fasten the remaining bracket(s) to the handrail.

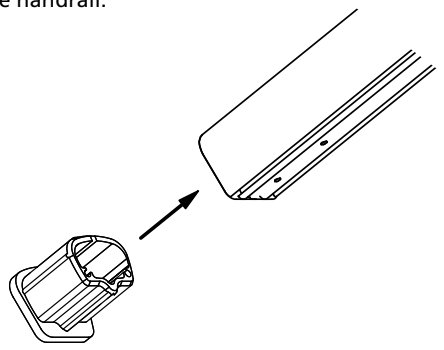


12. Tighten the wall anchor(s) on each bracket.

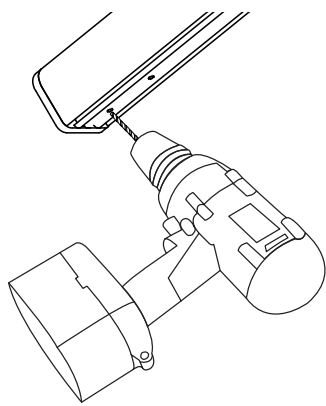
▲ IMPORTANT
Do not over tighten.



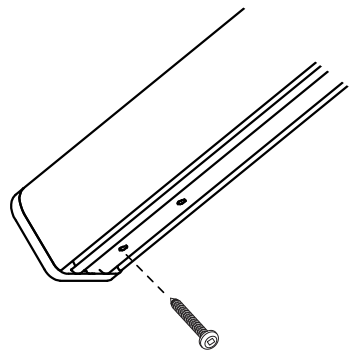
13. Slide an end cap into each end of the handrail.



14. Drill 9/64" pilot holes through handrail and end caps.



15. Secure end caps with #8 x 1" screws (provided).



Railing Application

IMPORTANT INFORMATION

For RESIDENTIAL use only:

- For use with stairs or ramps serving a single dwelling unit.

As shown in Fig. 2 below:

- A. bracket spacing shall not exceed 74"
- B. height of top of handrail shall be between 34-1/16" and 38" above nose of stair tread or ramp
- C. end of handrail shall not extend more than 11-3/4" past the end of the bracket
- D. splice connections shall be located between any 2 brackets, and no more than 16" from any one bracket

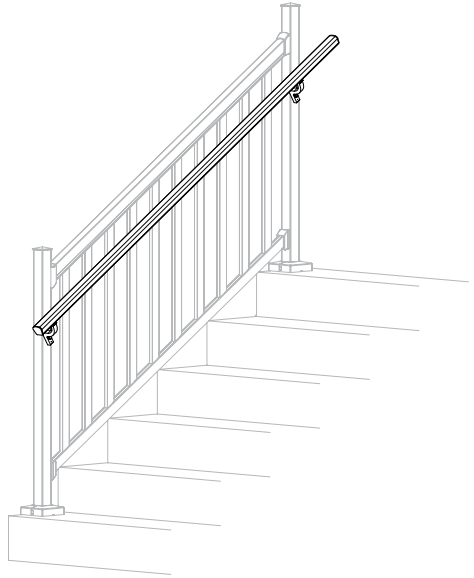
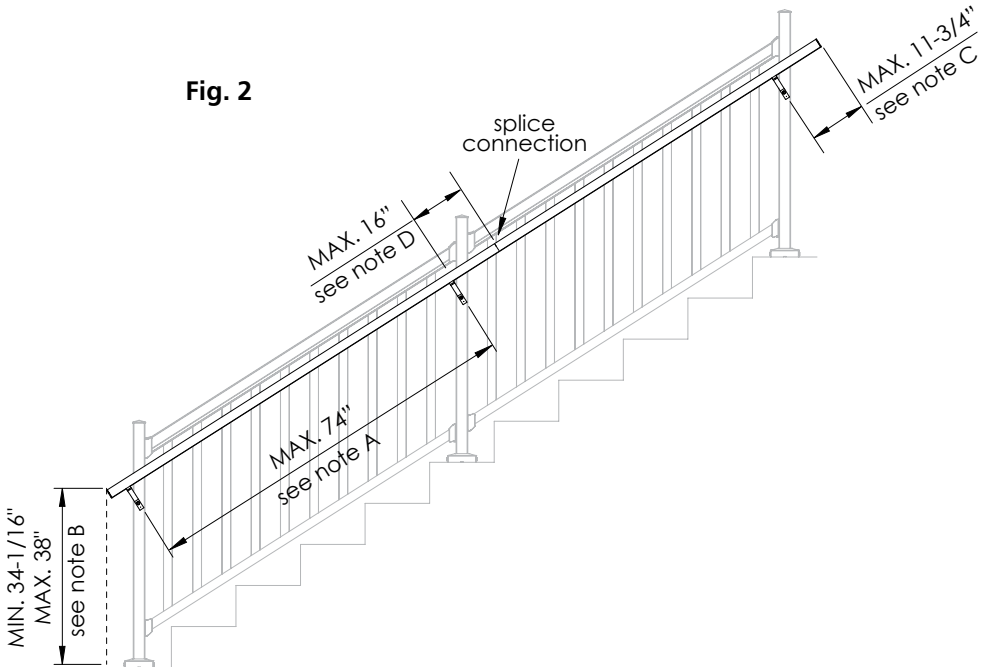


Fig. 2



Tools and materials required:

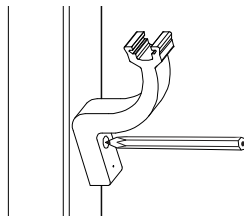
- Drill, 9/64" & 1/4" drill bits
- Square #2 bit
- Pencil
- 3/8" Socket & Ratchet (or 3/8" Wrench)
- Measuring tape
- Mitre saw
- 7/16" Socket & Ratchet (or 7/16" Wrench)
- Square
- Safety glasses

1. Determine the quantity of 8' Continuous Handrail Kits you will need.

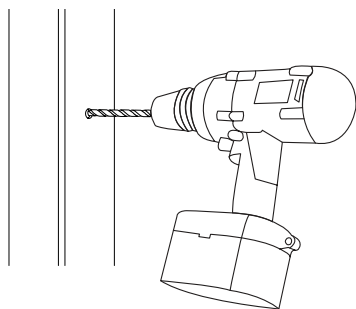
Note: spans greater than 8' will require multiple kits.

2. Starting at the top of the railing, measure and mark the position of the top bracket on the railing post. Ensure the hole is centered on the railing post at the desired height.

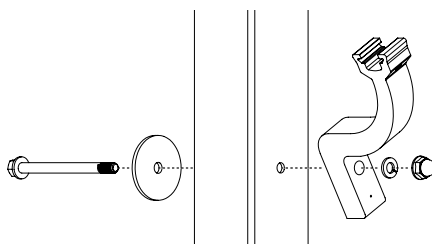
▲IMPORTANT Height of top of handrails shall be between 34-1/16" and 38" above nose of stair tread or ramp (see Fig. 2 on page 7).



3. Drill a 1/4" hole through the railing post at the marked position.

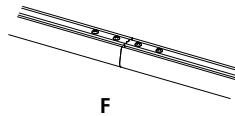
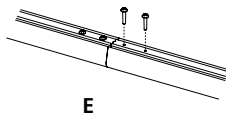
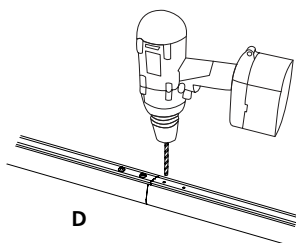
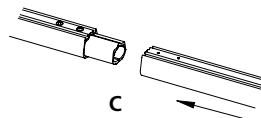
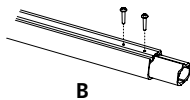
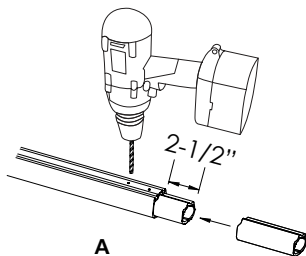


4. Fasten the bracket to the railing post using the fasteners provided. Tighten until the bracket is secure but can rotate freely.

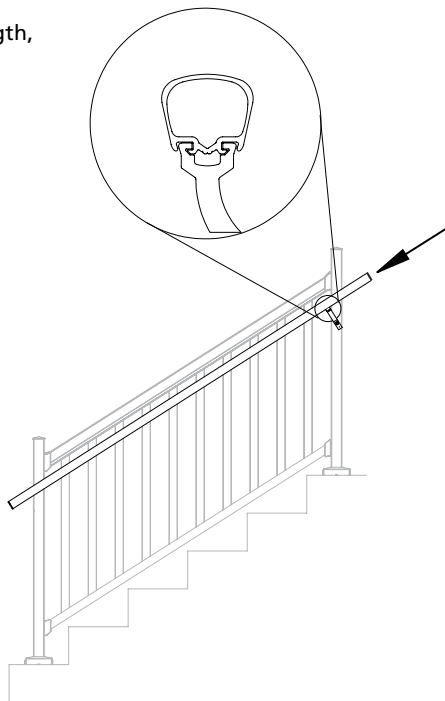
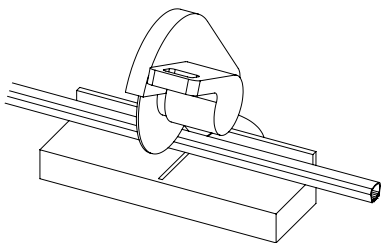


5 **▲IMPORTANT** Only complete this step for handrails longer than 8'.

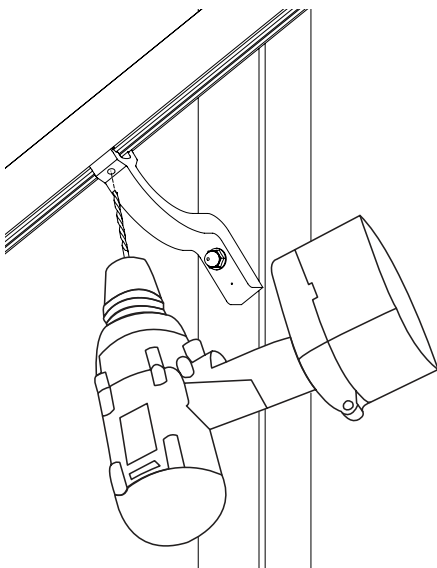
To join two handrails together, insert splice 2-1/2" into first handrail. Drill 9/64" pilot holes through handrail and splice, then install two screws. Attach second handrail to other side of splice.



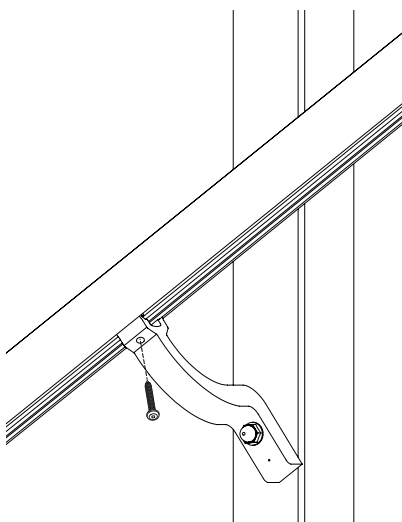
6. Measure and cut the handrail to the desired length, then slide the handrail onto the bracket.



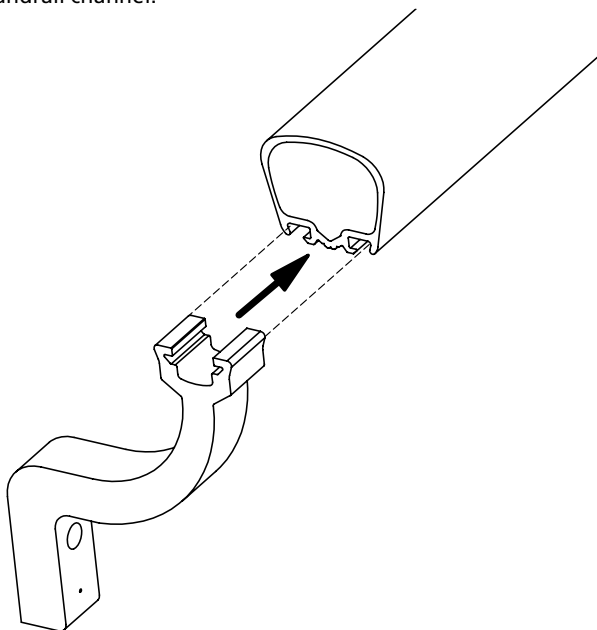
7. Once in position, drill a 9/64" pilot hole through the bracket and into the handrail.



8. Fasten the bracket to the handrail with a #8 x 1" screw (provided).



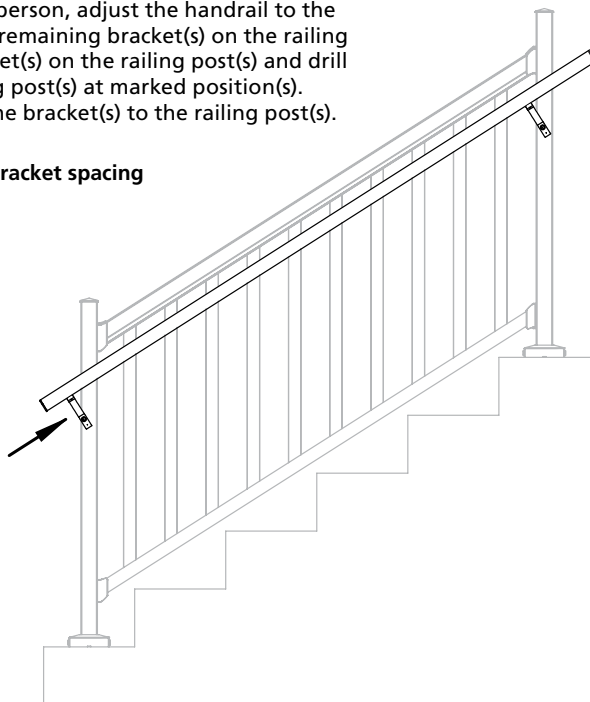
9. From the opposite end, slide the required number of brackets into the handrail channel.



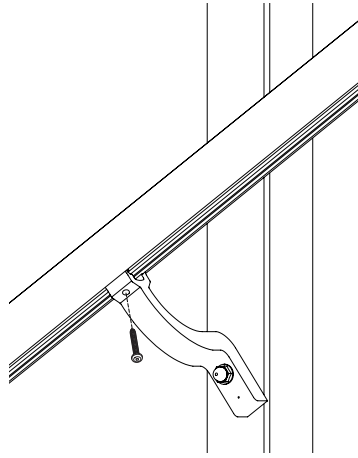
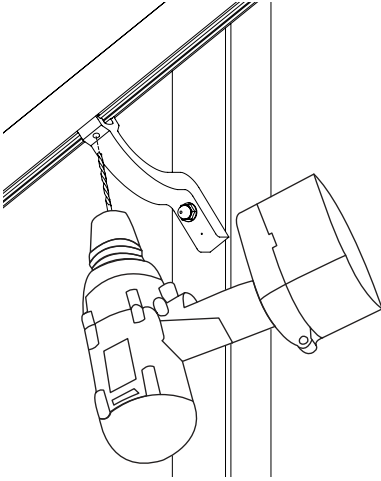
10. With the help of another person, adjust the handrail to the desired height and center the remaining bracket(s) on the railing post(s). Mark position of bracket(s) on the railing post(s) and drill 1/4" hole(s) through the railing post(s) at marked position(s). Then follow step 4 to attach the bracket(s) to the railing post(s).

▲IMPORTANT

Do not exceed 74" maximum bracket spacing (see Fig. 2 on page 7).

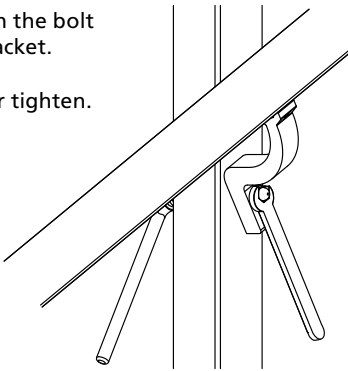


11. Follow steps 7 and 8 to fasten the remaining bracket(s) to the handrail.

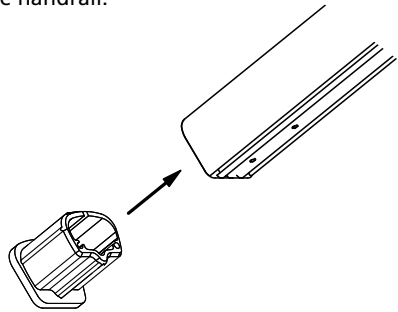


12. Tighten the bolt on each bracket.

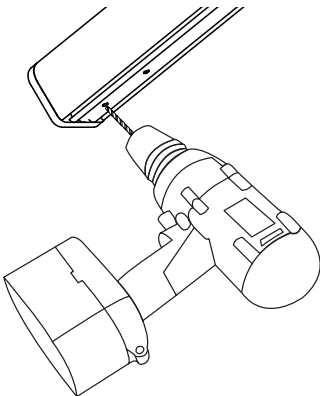
▲IMPORTANT
Do not over tighten.



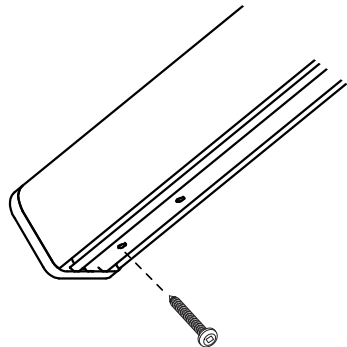
13. Slide an end cap into each end of the handrail.



14. Drill 9/64" pilot holes through handrail and end caps.



15. Secure end caps with #8 x 1" screws (provided).



NOTES