

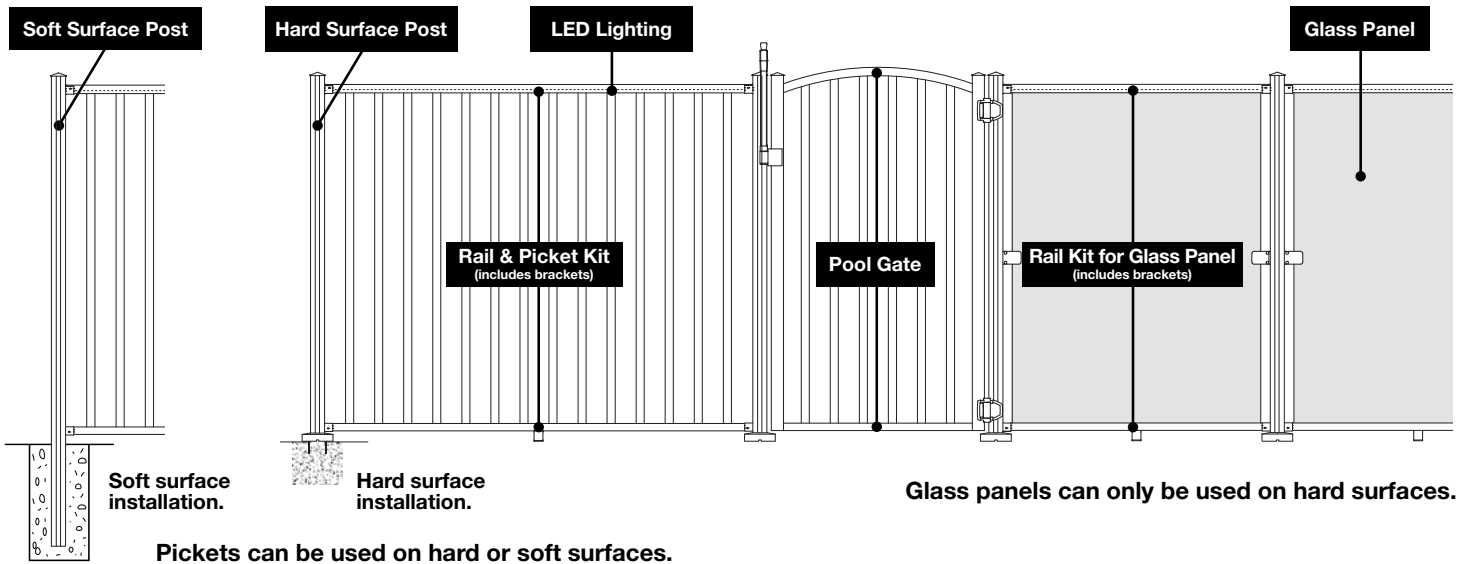
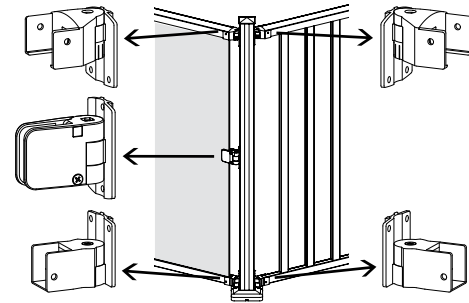
PLANNING A PREMIUM ALUMINUM FENCING SYSTEM

Peak AQUATINE™PLUS Aluminum Fencing is a versatile component-based system that is simple to assemble and customize.

- **Maximum post spacing:**
6' 2 5/8" on center for a picket fence system
3' 11 5/8" on center for a glass panel fence system
- **Pool fence compliant***
*Meets 2015 International Swimming Pool and Spa Code. Conditions apply (for details visit www.peakproducts.com/compliance). Complete Aquatine™PLUS system required including Pool Gate (do not use Yard Gate). Building Codes may vary. Always understand and comply with your local building codes.
- **For pool fences:**
The opening between pickets, or a picket and a post must not exceed 4".
The opening between a glass panel and a post must not exceed 1 3/4".
Follow local codes for minimum fence height and other specified requirements.
- **Always understand and comply with your local building codes.**

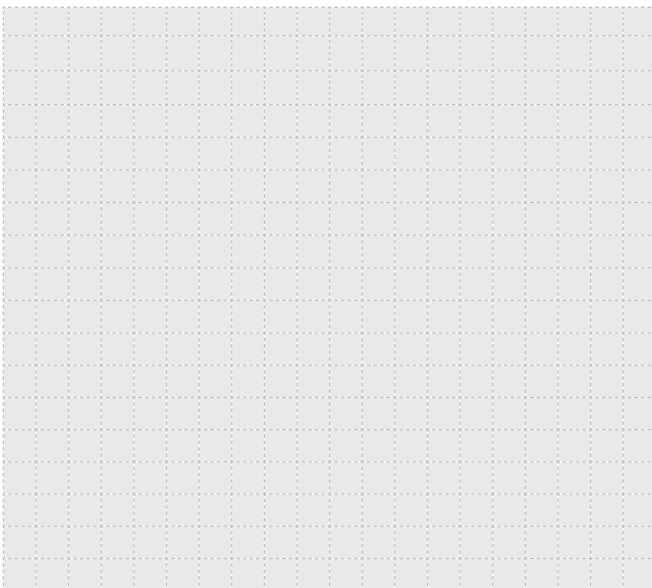
Angle Bracket Kit (for Glass Panels)
Makes it easy to connect glass panels at an angle.

Angle Bracket Kit (for Picket Panels)
Makes it easy to connect picket panels at an angle.



1 Use the grid below to plan your project.

□ = _____



2 Determine the components needed to complete your project.

	Description	Width	Qty.
Posts	Soft Surface Post		
	Hard Surface Post		
Fence Panels	Rail & Picket Kit (includes brackets)	6'	
	Rail Kit for Glass Panels (includes brackets)	45"	
	Tempered Glass Panel	42"	
Gates	Pool Gate (includes Safety Latch & Self-Closing Hinges)	3'	
	Yard Gate* (includes Latch & Hinges)	3'	
Brackets	Bracket Kit (for Picket Panels)		
	Angle Bracket Kit (for Picket Panels)		
	Bracket Kit (for Glass Panels)		
	Angle Bracket Kit (for Glass Panels)		
LED Lighting	1. LED Starter Kit		
	2. LED Extension Strip		

*Do not use for pool or spa applications.