

COMPONENTS

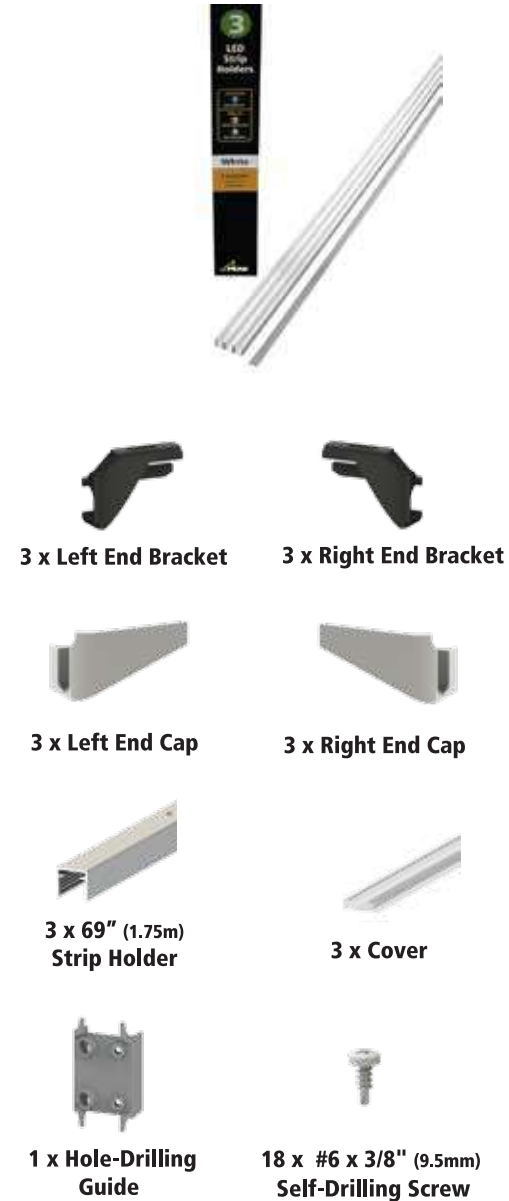
1 LED STARTER KIT



2 LED EXTENSION STRIP



3 LED STRIP HOLDER



REQUIRED TOOLS

- Measuring tape
- Pencil
- Mitre saw with non-ferrous metal cutting blade
- Philips #2 bit or screw driver
- Socket or wrench set
- Small round metal file
- Scissors
- Drill & Drill bits: 1/4" (6.4 mm), 1/2" (12.7 mm), and 1 inch (25.4mm)

Visit Us Online: peakproducts.com



Download the free Peak™ Lighting App!

peaklightingapp.peakproducts.com

WARNING

READ AND FOLLOW ALL WARNINGS AND SAFETY INSTRUCTIONS
RISK OF INJURY, ELECTRICAL SHOCK AND FIRE. CONSULT A QUALIFIED
ELECTRICIAN FOR CORRECT WIRING AND SUPPLY OF ELECTRICITY.

- This Installation guide is updated from time to time. Please refer to the latest version at www.peakproducts.com.

This device complies with Part 15 of the FCC Rules and with Industry Canada's license-exempt RSSs. Operation is subject to the following two conditions:

- (1) this device may not cause harmful interference; and
- (2) this device must accept any interference received, including interference that may cause undesired operation.

FCC ID: 2ACUQPEAK

IC: 20309-1009FAWIWPM

- No representation or warranty is given that your particular application of this product complies with relevant building or electrical codes. Consult with professionals and local building officials before beginning work.
- Installer should always work in a safe manner wearing protective gear such as gloves, eyewear, headwear, footwear and clothing.
- This product must be installed in accordance with electrical and building codes by a person familiar with operation of the product and the hazards involved. Installation and service of this product should be performed by a qualified licensed electrician.
- Always comply with operation manuals and instructions when using tools.
- To reduce the risk of death, personal injury or property damage please read all warnings and instructions included with this product and on any electrical panel.
- Disconnect power before installation or servicing. Use with a GFCI protected circuit.
- DO NOT INSTALL DAMAGED PRODUCT. This product has been packed so that no parts should have been damaged during transit. Inspect to confirm. Any part damaged or broken during or after installation should be replaced.
- Do not open, dismantle or attempt to repair the Power Supply, WiFi Controller, LED Strip, connectors or cables. There are no user serviceable parts. Only use supplied parts. Using different parts can damage the product.
- The Power Supply, Wifi Controller and LED Strip are water resistant, not water proof. Do not submerge.
- Mount the Power Supply in a clean and dry area, sheltered from moisture and inclement weather conditions at least 18" (460mm) above the ground and in accordance with code requirements.
- For the Wifi Controller, a separation distance of at least 8" (200mm) should be maintained from the body of a person.
- This device is not a toy. Keep children away from electrical products and connections.
- Do not use cleaning agents which may damage these components.
- Inspect and maintain this product and the structural components that they are used in connection with on a regular basis using professionals when appropriate.
- These instructions do not purport to cover all details or variations in equipment nor to provide every possible contingency to meet in connection with installation, operation, or maintenance of the product.

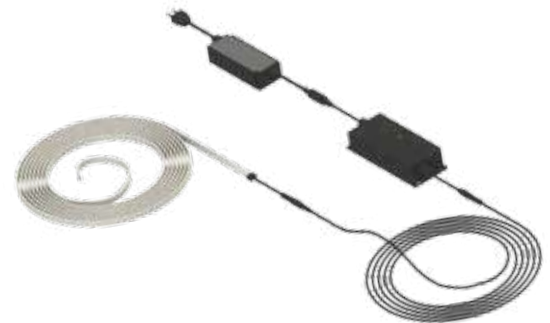
NOTICE: No member of The Peak Group of Companies (as defined at www.peakproducts.com) shall be liable for any loss or damage resulting from the improper installation or use of this product. In the unlikely event that any member of The Peak Group of Companies becomes liable for any loss or damage, the aggregate liability shall be limited to the retail purchase price of the product.

Peak products and associated materials are protected by patents, designs, copyrights and/or trademarks used under license from Peak Innovations Inc.

BEFORE YOU START



Check that the LED lighting system is in proper working order. Connect Power Supply, Wifi Controller, Extension and/or Splitter Cable and LED Strip(s) to an electrical supply. On the Wifi Controller, hold down the reset button for 10 seconds and release and the lights should operate.

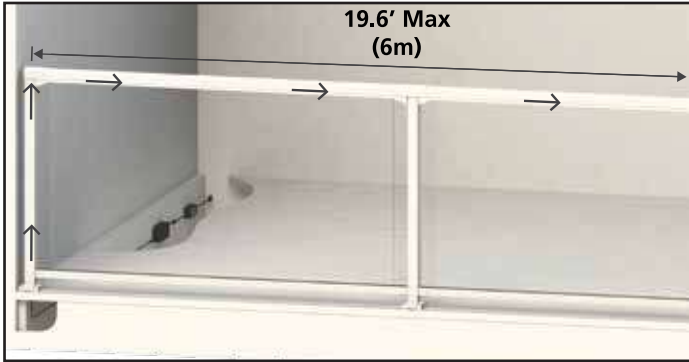


Remove from electrical supply before beginning your installation

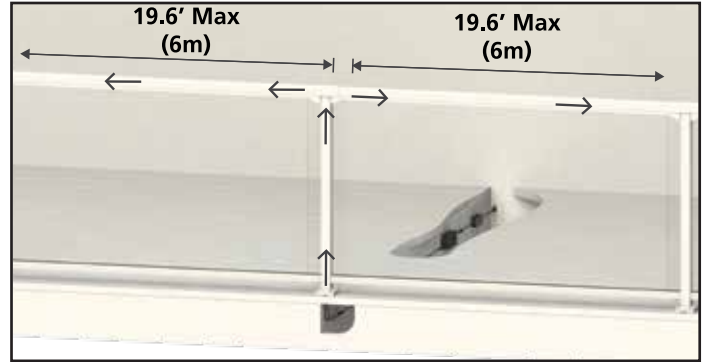
PLANNING & LAYOUT

1 Determine the length of the railing sections you would like to add LED lighting to.

Single LED Strip Application - 19' 6" (6m) max.



Dual LED Strip Application - 39' (12m) max.



Larger Projects

Use one LED Starter Kit with no more than one LED Extension Strip. For larger projects, purchase multiple LED Starter Kits and Extension Strips. Wifi Controllers from LED Starter Kits can be grouped within the Peak Lighting app to work in unison.

2 Determine the quantity of LED lighting components you will need.

- 1** LED Starter Kit
- 2** LED Extension Strip
- 3** LED Strip Holders

See front cover for contents of each component.

PROJECT SIZE ft (m)	COMPONENTS REQUIRED
Up to 19' 6" (6 m)	1 + 3
19' 6" - 39' (6 m - 12 m)	1 + 2 + 3 + 3
39' - 58.5' (12 m - 18 m)	1 + 2 + 1 + 3 + 3 + 3
58.5' Plus (18 m Plus)	<i>Continue to add multiple kits together as shown above.</i>

OTHER APPLICATIONS



The Peak™ Lighting system can be used in both exterior and interior applications. Simply install the product and download our Peak Lighting app.

Below are a couple of ideas for the Peak™ Lighting system - have some fun and use your imagination!



LED ALONG A POOL FENCE OR YARD FENCE

Use the LED system to add some vibrance to your fence.



LED ALONG A FASCIA

LED is a great alternative to festive lights. They are easy to install and can be kept in place year round.



peaklightingapp.peakproducts.com



It's time to download the Peak™ Lighting app!



Colour & Themes

Endless colour options and effects.



Sync To Your Music

Sync the LED lights to the rhythm of your music.



Wifi-Enabled

Control your Peak™ Lighting system from anywhere in your home.




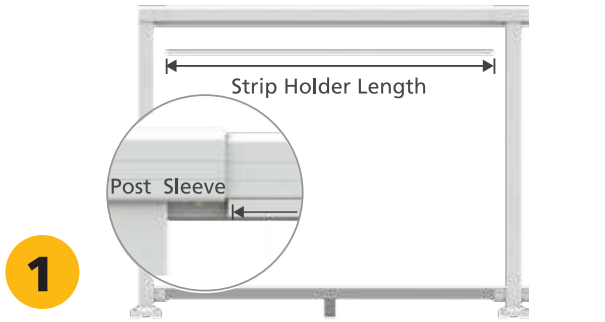
Schedule Events

Easily schedule events throughout the week.

Once you've installed the Peak™ Lighting app visit peaklightingapp.peakproducts.com for helpful tutorials on functionality.



 This symbol represents important information

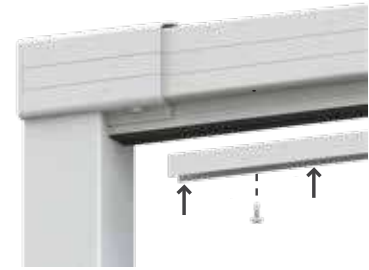


1

For each railing section you would like to light, measure the length of the handrail between the post sleeves and cut the Strip Holder to length using a mitre saw with a non-ferrous metal cutting blade. Cut the covers to the same length using scissors.

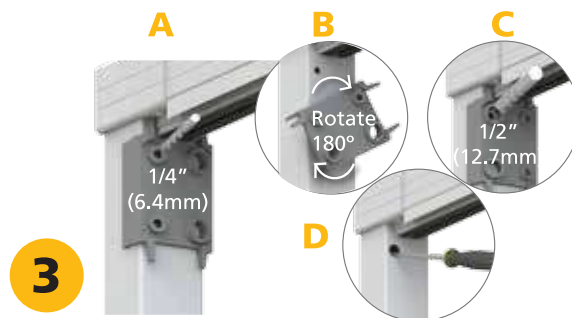
WARNING ENSURE YOU ARE WEARING APPROPRIATE SAFETY GEAR INCLUDING SAFETY GLASSES AND GLOVES WHILE CUTTING COMPONENTS.

2



Fasten the Strip Holder to the underside of the handrail using #6 x 3/8" (9.5mm) self-drilling screws (provided) at the pre-drilled locations. Repeat steps 1 and 2 for each railing section.

! Ensure you fasten the Strip Holder onto the desired side of the handrail (i.e. the inside or outside).



3

Secure the Hole-Drilling Guide against the post with the legs of the guide touching the underside of the post sleeve and the small hole in the guide on the side of the post that you would like to drill.

A: Drill a 1/4" (6.4mm) pilot hole through the guide and into post.

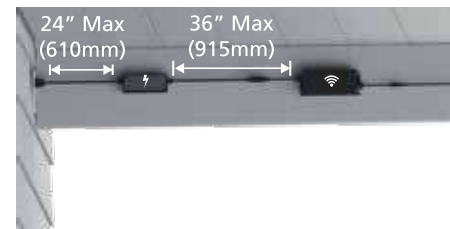
! Ensure you drill the hole on the desired side of the post.

B: Rotate the Hole-Drilling Guide 180°.

C: Finish by drilling a 1/2" (12.7 mm) hole.

D: Use a small round metal file to remove burrs from the inside and outside of each hole. Repeat steps for remaining posts.

4



WARNING BE SURE TO DISCONNECT THE POWER SUPPLY FROM THE POWER SOURCE BEFORE YOU BEGIN THIS STEP.

Mount the Power Supply and the Wifi Controller in a clean, dry, sheltered location near an electrical outlet with GFCI protection. The maximum recommended distance between the post at the start of the LED Strip and the Wifi Controller is 18' (5.5m).

! Connecting three or more 20' (6.1m) Extension Cables before any LED Strip may change the lighting intensity.



5

At the first section you would like to light, slide the base rail support toward the first post, unfasten the post from the deck and the rails and carefully remove the post.

! Do not lift up on the handrail while post is removed.

6

A Using Extension Cable

B Using Splitter Cable

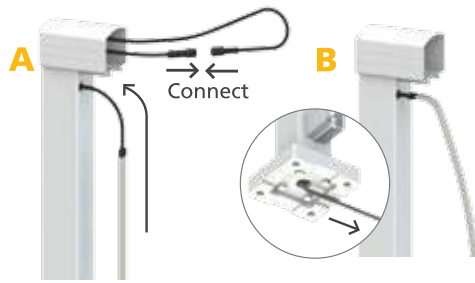


Turn the post upside down.

A: For single LED Strip applications, feed the Extension Cable down through the post base and out of the post sleeve.

B: For dual LED Strip applications, feed the dual end of the Splitter Cable down through the post base and out of both sides of the post sleeve.

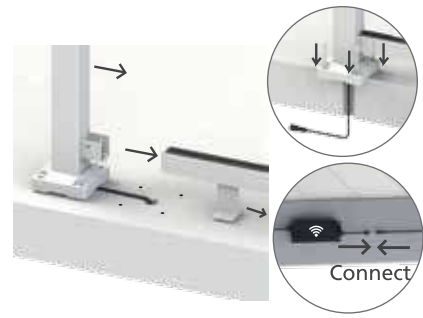
7



A: Feed the connector end of the LED Strip through the drilled hole in the side of the post and out through the post sleeve. Connect the cables together. For dual strip applications, connect both connector ends of the LED strips to each end of the Splitter Cable.

B: From the bottom of the post, gently pull the Extension or Splitter Cable to move the connection(s) inside the post.

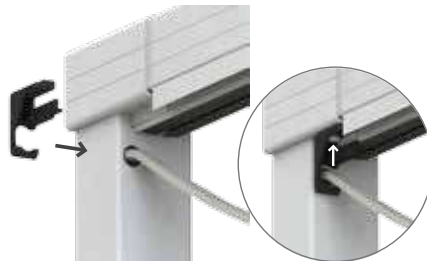
8



First decide how you will route the Extension Cable or Splitter Cable from the post to the Wifi Controller. Ideally, drill a 1/2" (12.7mm) hole for an Extension Cable or a 1" (25.4 mm) hole for a Splitter Cable under the post. Then feed the cable through the hole and put the post back into position. Reattach the post and base rail support to the deck in their original position.

Now connect the Extension or Splitter Cable to the WiFi Controller. Determine the best way to secure and conceal the cable for your application.

9



Put an End Bracket into position on the first post (left End Brackets are different from right End Brackets) and attach to the post sleeve using the existing fastener. Install the remaining fasteners to reattach rails to post. Install the End Brackets onto remaining posts in sections being lit.

⚠ DO NOT OVERTIGHTEN
Ensure all railing components are securely refastened at the end of this step.

10



Before feeding the LED Strip through the posts, ensure the LED Strip is not twisted and that the lights are facing downward. Using two hands, **gently feed** the LED Strip through the posts (DO NOT PULL, you will damage the strip).

⚠ To avoid damage to the strip, keep the LED strip away from sharp edges on drilled holes.

For corner posts it is helpful to use a small screwdriver to guide the LED Strip through the holes. Do not install the LED Strip into Strip Holders yet.

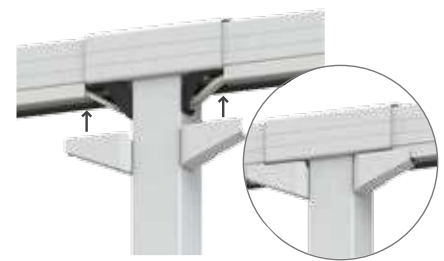
11



Starting with the first section, insert the LED Strip into the Strip Holder and then snap the Cover in place. During this process, feed the excess LED Strip into the next section. Repeat this step until the LED Strip is installed in all sections. Feed any excess LED Strip into the last post.

⚠ To prevent damage, do not cut the LED Strip.

12



Clip End Caps onto End Brackets.

⚠ Left End Caps are different from Right End Caps.

Congratulations, you've finished the installation ... now let's have some fun!