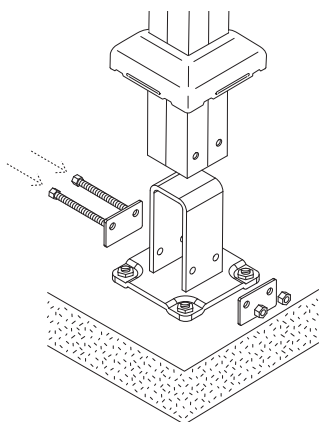
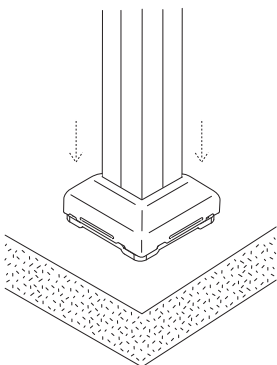


- 3** Using a hammer, insert assembled concrete fasteners (5/16" x 2 1/2") through each corner of base into concrete until washer is touching the base. Using a 7/16" wrench, tighten nuts (2 to 3 turns).



- 4** Slide base cover onto post. Slide post onto base until holes in post align with holes in base. Insert two 1/4" x 2 1/2" fasteners through post base and washers (one washer on each side of the post) and install nuts. Tighten fasteners using 3/8" wrench (do not over tighten).



- 5** Slide base cover over base plate until it snaps in place.

PEAK[®] Aluminum Fencing

Post Base Kit Installation Guide



Hand Operated Tools & Materials Needed:

- Drill (appropriate for metal and concrete)
- Hammer
- 5/16" metal drill bit
- 7/16" wrench
- 5/16" concrete drill bit
- 3/8" wrench

All fasteners are included.

Made in China for:
The Peak Group of Companies
as defined by:
www.peakproducts.com

P.O. Box 96060, Richmond BC, Canada V7A 5J4

Patent and/or design registrations pending or issued.

V2 © 2010

peakproducts.com

IMPORTANT INFORMATION

⚠ WARNING Before using these products, ensure areas to be drilled are free from utilities, services and hazards. Building codes may vary. Always comply with all applicable building codes.

Before beginning work, engage professionals: (i) to ensure that these products are appropriate for your intended application, that the structural components for which these products are to be used in connection with are sound and that the work areas are safe and free from all potential hazards including utilities and other services; (ii) to provide clarification if these warnings are unclear or you do not understand any of the information in the installation instructions for these products. Before installing these products check with the appropriate authorities for locations of underground utilities, services and hazards. These products may not be suitable for all applications or soil conditions and are not intended for commercial use. Either before, during or after cutting, metal components may have sharp edges which could fragment. When using tools always comply with the applicable user manuals and instructions. Everyone in the vicinity of any work area must wear appropriate protective gear including gloves, footwear, eyewear, hard hat and appropriate clothing. Do not use these products in connection with wood that has been treated with Ammoniacal Copper Quaternary (ACQ) or with any other substance that is harmful to these products. Inspect and maintain these products and the structural components that they are used in connection with on a regular basis using professionals when appropriate. Always work in a safe manner.

Neither Peak Innovations Inc. nor any member of the Peak Group of Companies (as defined at www.peakproducts.com) shall be liable for any loss or damage resulting from the improper installation or use of these products and in the event that Peak Innovations Inc. or any member of the Peak Group of Companies is held to be liable for any reason, such liability is limited to the retail purchase price of these products.

Peak Innovations Inc. is the owner of intellectual property rights used under licence by the Peak Group of Companies.

THESE INSTRUCTIONS HAVE BEEN PREPARED FOR CERTAIN STANDARD RESIDENTIAL APPLICATIONS. OBTAIN PROFESSIONAL ADVICE FOR ANY NON-STANDARD OR NON-RESIDENTIAL APPLICATION.

Dear Customer,

We'd like to take a moment to say "thank you and congratulations" for choosing our products. At PEAK™ your satisfaction is very important to us. That is why we work very hard to provide you with products of exceptional quality, value, and beauty. And that is also why we want to hear from you.

Please contact us with your comments or suggestions at:

quality@peakproducts.com

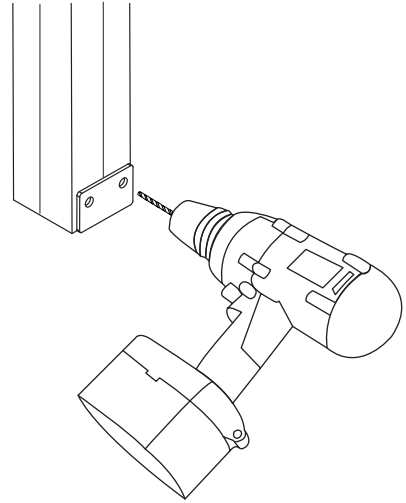
Or if you prefer, write to us at:

**"Customer Care" ~ The Peak Group of Companies
P.O. Box 96060, Richmond, B.C. Canada V7A 5J4**

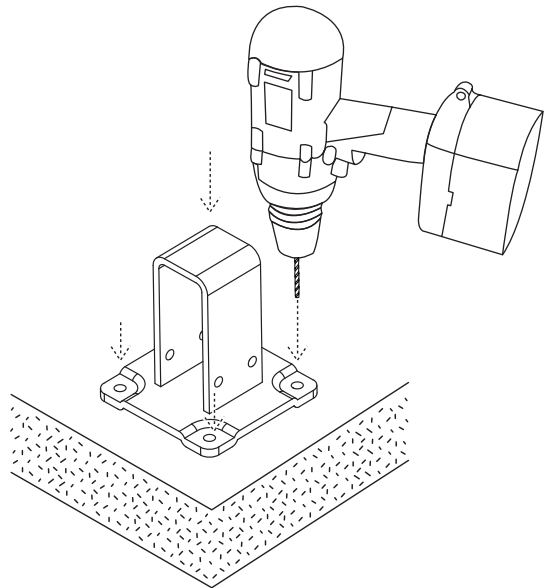
Finally, we'd like to remind you to always work safely.

Then, take pride, relax with your family and experience years of enjoyment with PEAK™ products.

The Peak Group of Companies



- 1** Using the rectangular washer as a template, align washer with bottom of post (holes in washer at the top) and drill two $\frac{5}{16}$ " holes in side of post. Repeat on opposite side of post.



- 2** Position base on concrete surface. Using a $\frac{5}{16}$ " concrete bit and appropriate drill, drill four 3" deep holes into concrete surface (use corner holes in base as a guide). Clean holes.