

# PEAK® Aluminum Fencing

## Installation Guide



### Hand Operated Tools & Materials Needed:

- Drill & screw bits
- Hacksaw or metal cutting saw
- Tape measure
- Level
- Appropriate protective gear including gloves, footwear, eyewear & clothing

All fasteners are included with each component

peakproducts.com

## Important Information

**⚠ WARNING** Before beginning work, engage professionals: (i) to ensure that these products are appropriate for your intended application, that the structural components for which these products are to be used in connection with are sound and that the work areas are safe and free from all potential hazards including utilities and other services; (ii) to provide clarification if these warnings are unclear or you do not understand any of the information in the installation instructions for these products. Before installing these products check with the appropriate authorities for locations of underground utilities, services and hazards. These products may not be suitable for all applications or soil conditions and are not intended for commercial use. Always comply with all applicable building codes. Building codes may vary. Work in a safe manner. Either before, during or after cutting, metal components may have sharp edges which could fragment. When using tools always comply with the applicable user manuals and instructions. Everyone in the vicinity of any work area must wear appropriate protective gear including gloves, footwear, eyewear, hard hat and appropriate clothing. Do not use these products in connection with wood that has been treated with Ammoniacal Copper Quaternary (ACQ) or with any other substance that is harmful to these products. Inspect and maintain these products and the structural components that they are used in connection with on a regular basis using professionals when appropriate.

Neither Peak Innovations Inc. nor any member of the Peak Group of Companies (as defined at [www.peakproducts.com](http://www.peakproducts.com)) shall be liable for any loss or damage resulting from the improper installation or use of these products. In the unlikely event that Peak Innovations Inc. or any member of the Peak Group of Companies is held to be liable for any reason, such liability is limited to the retail purchase price of these products.

These instructions have been prepared for certain standard residential applications. Obtain professional advice for any non-standard or non-residential application.

### Dear Customer,

We'd like to take a moment to say "thank you and congratulations" for choosing our products.

At PEAK™ your satisfaction is very important to us. That is why we work very hard to provide you with products of exceptional quality, value, and beauty. And that is also why we want to hear from you.

Please contact us with your comments or suggestions at:

[quality@peakproducts.com](mailto:quality@peakproducts.com)

Or if you prefer, write to us at:

"Customer Care" ~ The Peak Group of Companies  
P.O. Box 96060, Richmond, B.C. Canada V7A 5J4

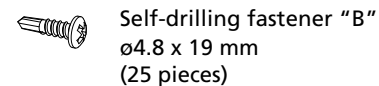
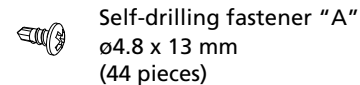
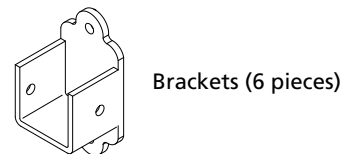
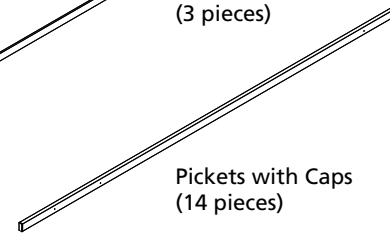
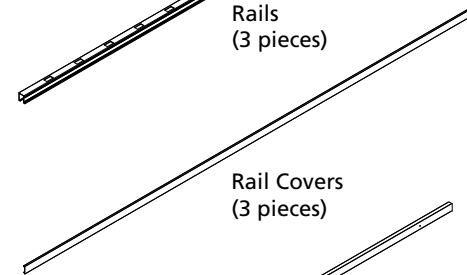
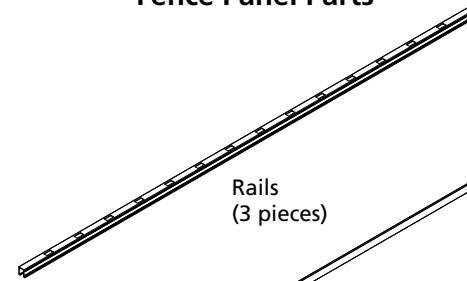
Finally, we'd like to remind you to always work safely. Then, take pride, relax with your family and experience years of enjoyment with PEAK™ products.

The Peak Group of Companies



## Installation Instructions

### Fence Panel Parts



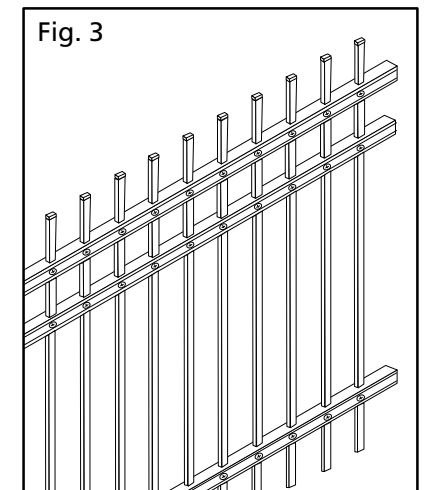
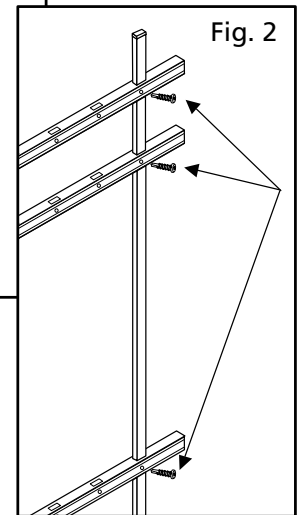
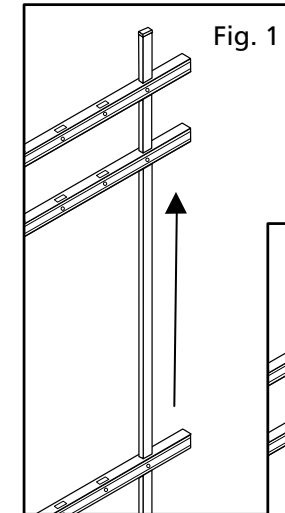
Peak products and the materials associated therewith are protected by patents, designs, copyright and/or trademarks. All trademarks are used under license from Peak Innovations Inc. P.O. Box 96060, Richmond BC, Canada V7A 5J4. Made in China for The Peak Group of Companies as defined by [www.peakproducts.com](http://www.peakproducts.com).  
Designs pending. © 2015

I107\_V5a

## A) Assemble the Fence Panel

### Step 1

- insert pickets into rails (Fig. 1)
- line up rail holes with pre-drilled holes in pickets
- secure with fasteners "A" (Fig. 2)
- \* do not overtighten
- repeat for all pickets (Fig. 3)



## B) Install Posts & Attach Panels

### Step 1

- determine post spacing (maximum 6' from centre to centre - Fig. 8)
- measure and mark position of post holes
- dig 10" x 10" hole (depth noted below)
- insert posts into holes

4' Panel - Overall post length 70" = 21" underground  
 5' Panel - Overall post length 88" = 27" underground

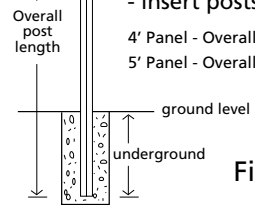


Fig. 7

### Step 2

- insert post into first post hole
- mix and pour concrete into first post hole
- ensure post is plumb and brace post
- insert second post into second hole
- \*don't pour concrete yet

6' - centre to centre  
 (based on 69.75" panel)

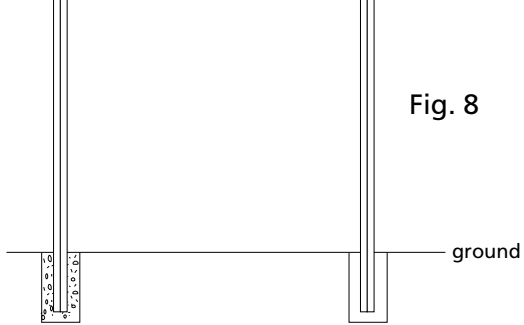


Fig. 8

### Step 3

- support fence panel (max. 2" from the ground) (Fig. 9)
- mark position of bracket on fence posts
- \*ensure panel is level
- remove brackets from fence panel
- fasten brackets to fence posts - 3 per post (Fig. 10)

Fig. 9

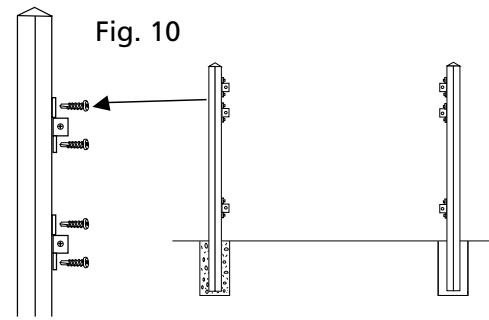
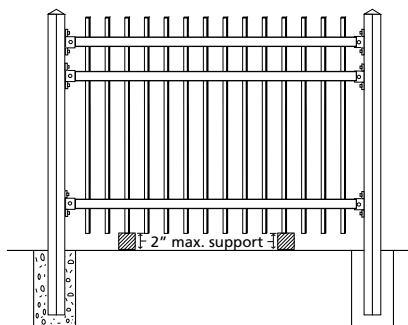


Fig. 10

### Step 4

- attach fence panel to posts using 12 fasteners "B" (Fig. 11)
- pour concrete into second hole
- ensure post is plumb and brace post
- repeat steps 3 & 4 for remaining fence panels

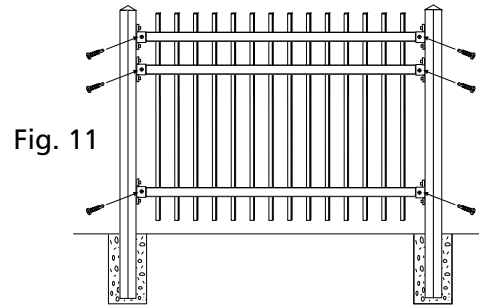
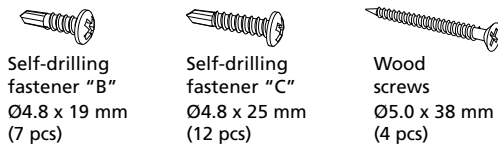


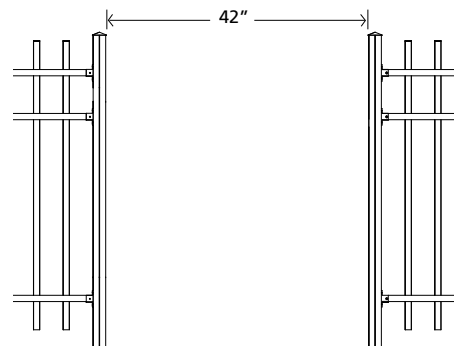
Fig. 11

## C) Installing a Gate

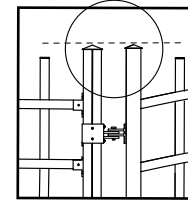
### Fasteners for Gate



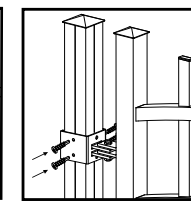
\* Opening between the posts must be 42"



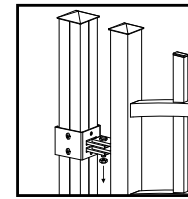
## For Aluminum Posts



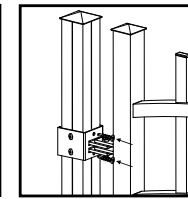
Step 1 - align top of gate post with top of fence post



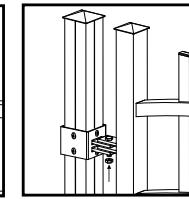
Step 2 - attach U-shape bracket to the Aluminum fence post with 4 self-drilling fasteners "C" (2 front & 2 back)



Step 3 - remove nut

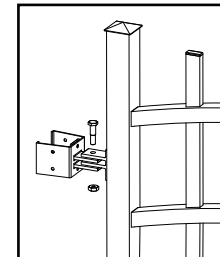


Step 4 - install remaining 2 self-drilling fasteners "C" to side of the U-shape bracket (lift bolt slightly to insert bottom fastener)

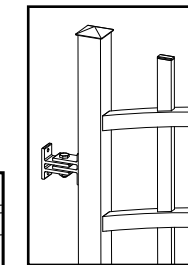


Step 5 - reattach nut

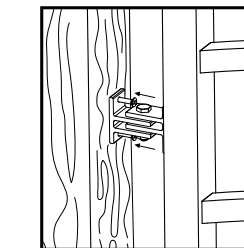
## For Wooden Posts



Step 1 - remove u-shape bracket by unscrewing hinge bolt



Step 2 - reconnect hinges by replacing bolts

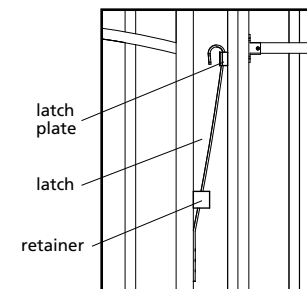


Step 3 - attach hinges to wood post with 4 wood screws (2 per bracket)

## Latch Assembly

Use fasteners "B" for these steps:

- Step 1 - secure retainer to gate frame at marked position
- Step 2 - insert latch through retainer and secure to gate frame at marked position
- Step 3 - secure latch plate to fence post near top of latch



## Step 2

- snap rail cover onto rails to conceal fasteners (Fig. 4 & Fig. 4A)

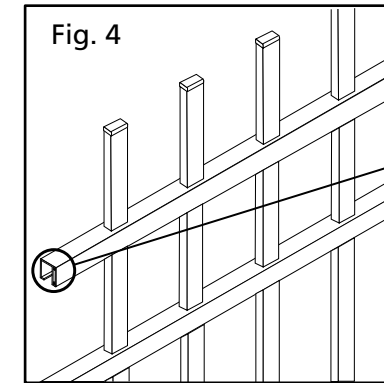
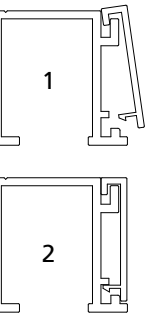


Fig. 4

Fig. 4A



## Step 3

- install 6 Panel Brackets, but DO NOT fasten yet (Fig. 5 & 6)

Fig. 5

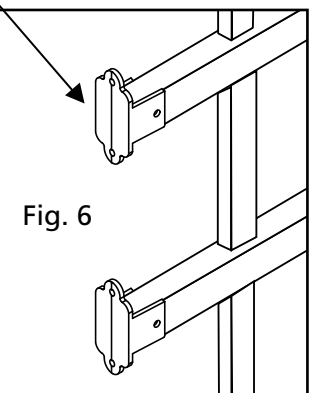
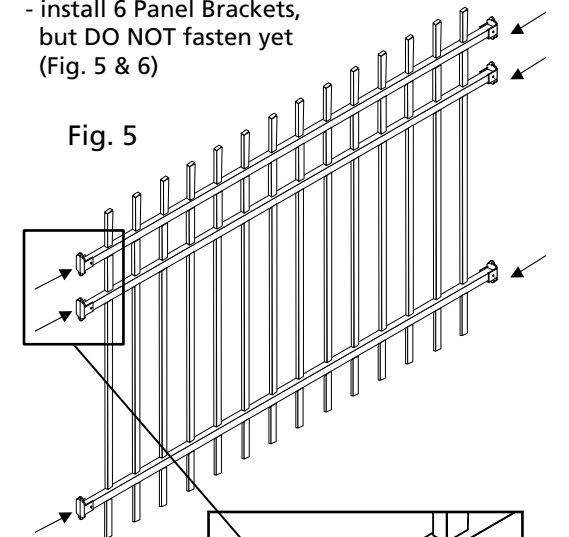


Fig. 6