



# Installation Instructions

**IMPORTANT:** Before starting installation, read warning on opposite side.

## Tools & materials required:

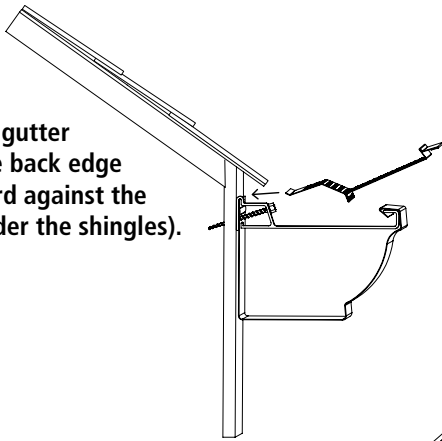
Ladder	Felt tip marker
Gloves	Tin snips
Eye protection/ Safety goggles	Drill
	#8 Philips bit

**Fasteners included**

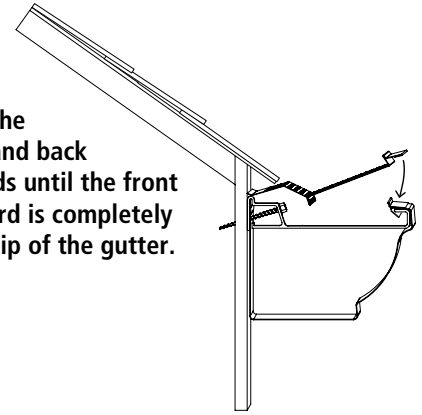
**Step 1:** For existing gutters, completely clean out all leaves and debris from the gutter system (gutters, outlets and downspouts) and ensure that all existing joints and corners are well sealed and not leaking. For new gutter systems, follow the gutter system installation instructions before proceeding to step 2 below.

## Step 2: Install sections of gutter guard

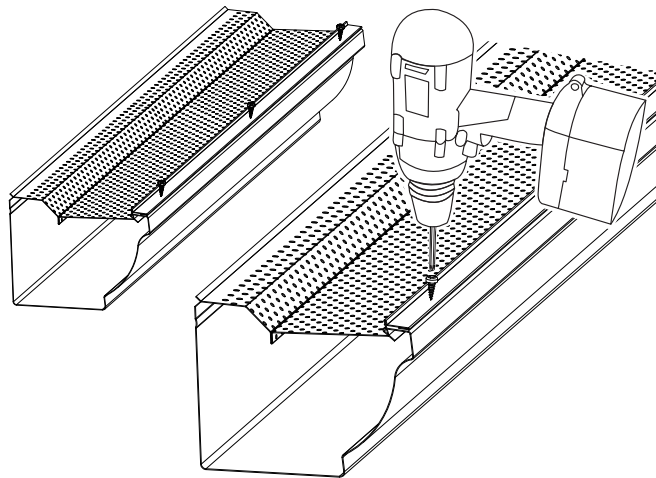
**a)** Starting at the leftmost end of a gutter section, insert the back edge of the gutter guard against the fascia boards (under the shingles).



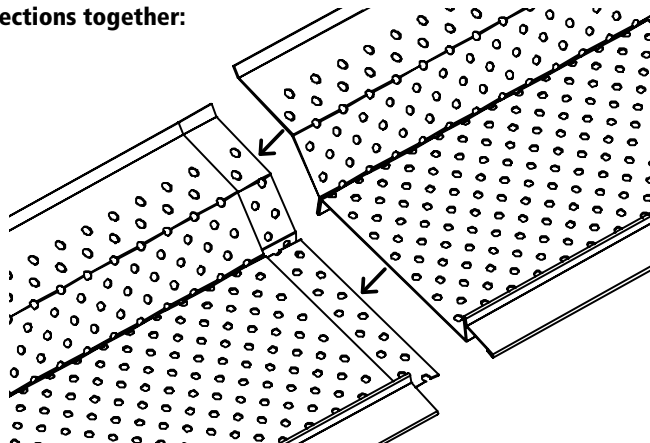
**b)** Push front lip of the gutter guard down and back towards fascia boards until the front lip of the gutter guard is completely seated on the front lip of the gutter.



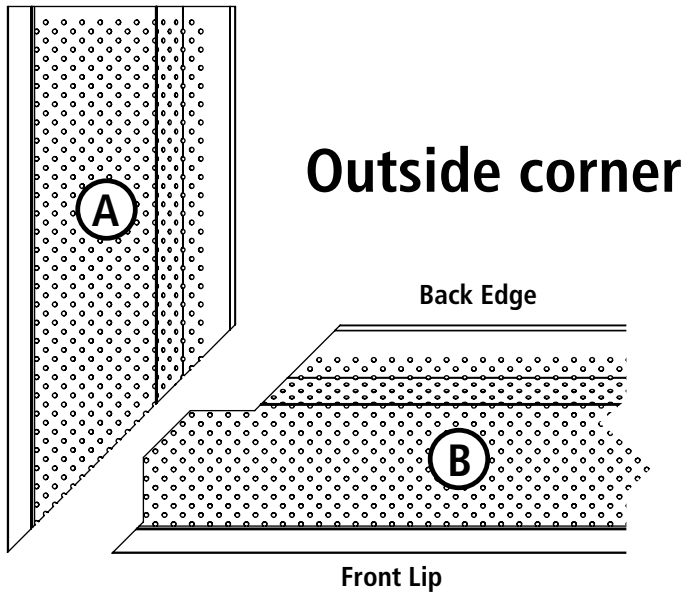
**c)** Using a drill and #8 Philips bit, install one self-piercing screw apx. 2" (5.08 cm) from each end of the gutter guard and another screw in the centre of the section.



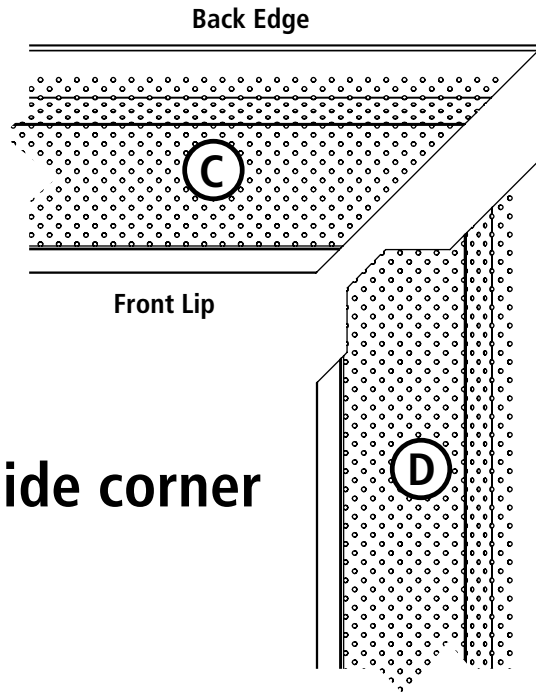
**How to connect two Gutter Guard sections together:**



# How to connect Gutter Guard in corners:



Install bottom section **B** first



Install bottom section **D** first

**⚠ WARNING** Before beginning work: (i) ensure that the products are appropriate for your intended application; (ii) ensure that the underlying structural components are sound; (iii) ensure that the work areas are free from potential hazards from utilities or otherwise; (iv) determine how to work safely and identify appropriate apparatus and harnesses to be used; and (v) seek clarification of any warnings or installation instructions that are unclear. Comply with all applicable building codes. Before, during and after cutting, metal components may have sharp edges which could fragment. Ensure that appropriate protective gear (including gloves, footwear, eyewear, hardhat and appropriate clothing) is worn by everyone in the vicinity of the work area. When working above ground level use an appropriate safety harness and do not use the products to support your weight. Do not use the products in connection with ACQ treated wood or other substances that may harm the products. For your overall gutter system it is recommended that you regularly check for and remove ice and snow buildup and repair any cracks, tears, leakage or other damage. **NOTICE:** Neither Peak Innovations Inc. nor any member of The Peak Group of Companies (as defined at [www.peakproducts.com](http://www.peakproducts.com)) shall be liable for any loss or damage resulting from the improper installation or use of this product. In the unlikely event that Peak Innovations Inc. or The Peak Group of Companies is held liable for any reason, such liability is limited to the retail purchase price of this product.

Peak® and certain products and the materials associated therewith are protected by patents, designs, copyright and/or trademarks. All trademarks are used under license and are owned by Peak Innovations Inc.

Made in Canada for:  
**The Peak Group of Companies**  
 as defined by  
[www.peakproducts.com](http://www.peakproducts.com)



P.O. Box 96060, Richmond BC,  
 Canada V7A 5J4

© Peak Innovations Inc., 2011  
 ©137494 V1