

Report of:

- **2024 International Swimming Pool and Spa Code**

WARNING No representation or warranty is given that your particular application of these products complies with relevant building codes or that the fasteners provided or used are appropriate for your application. Consult with professionals and local building officials before beginning work: (i) to ensure compliance with relevant building codes for your application and for your proposed use of fasteners; (ii) to ensure the integrity of the structural components in connection with which these products are to be used; (iii) to identify appropriate safety gear that is to be used during installation; (iv) to ensure that the work area is free from utilities, services and hazards; and (v) to clarify any instructions or warnings that may not be clear. Work in a safe manner wearing protective gear such as gloves, eyewear, headwear, footwear and clothing. When using tools comply with operation manuals and instructions. Metal and glass may have sharp edges and could fragment or splinter during or as a result of handling or cutting. Do not use these products in connection with any substance that is or may be harmful or corrosive to the products. Inspect and maintain these products and the structural components that they are used in connection with on a regular basis, using professionals when appropriate.



May 7, 2024

MTE File No.: C45332-101

Peak Products USA Corporation
adam.mantei@peakproducts.com
www.peakproducts.com

MTE Project No. C45332-101
Peak Products | Aquatine and
AquatinePLUS FL Building
Code Review

**RE: PEAK® Aluminum Fencing Aquatine™ Review For Code Compliance
2024 ISPSC**

1. INTRODUCTION

1.1 Overview

The Peak® Aluminum Fencing Aquatine™ is intended to serve as a fence or barrier around the perimeter of the pool area. The purpose of the barrier is to prevent access to the pool area, but not to serve as fall protection to a lower elevation. Peak® Aluminum Fencing Aquatine™ drawings and dimensions are provided to us by Peak Products as part of the review scope.

The purpose of this report is to provide a review of the requirements set forth in the following documents:

- 2024 International Swimming Pool and Spa Code (ISPSC)
 - Section 305 - Barrier Requirements

2. POOL BARRIER REQUIREMENTS CHECKLIST

The Peak® Aluminum Fencing Aquatine™ is reviewed for compliance against the requirements of the above-referenced codes. The requirement review checklist items are summarized in Table 1.1 below.

Table 1.1 2024 ISPSC Requirements			
Result	Clause	Description	Comment
N/A	305.1	The provisions of this section shall apply to the design of barriers for restricting entry into areas having pools and spas. Where spas or hot tubs are equipped with a lockable safety cover complying with ASTM F1346 and swimming pools are equipped with a powered safety cover that complies with ASTM F1346m the areas where those spas, hot tubs or pools are located shall not be required to comply with Sections 305.2 through 305.7.	Review for compliance with Section 305

Table 1.1 2024 ISPSC Requirements

Result	Clause	Description	Comment
Conform	305.2.1.1	The top of barrier shall be not less than 48 inches above grade where measured on the side of the barrier that faces away from the pool or spa. Such a height shall exist around the entire perimeter of the barrier and for a distance of 3 feet measured horizontally from the outside of the required barrier.	Aquateine top of barrier is 48 inches above grade.
Conform	305.2.1.2	The vertical clearance between grade and the bottom of the barrier shall not exceed 2 inches for grade surfaces that are not solid, such as grass or gravel, where measured on the side of the barrier that faces away from the pool or spa.	Aquateine bottom of barrier clearance is 2 inches maximum.
Conform	305.2.1.3	The vertical clearance between a surface below the barrier to a solid surface, such as concrete, and the bottom of the required barrier shall not exceed 4 inches where measured on the side of the required barrier that faces away from the pool or spa.	Aquateine bottom of barrier clearance is 2 inches maximum.
Conform	305.2.1.4	Where the top of the pool or spa structure is above grade, the barrier shall be installed on grade or shall be mounted on top of the pool or spa structure. Where the barrier is mounted on the top of the pool or spa, the vertical clearance between the top of the pool or spa and the bottom of the barrier shall not exceed 4 inches.	Aquateine bottom of barrier clearance is 2 inches maximum.
Conform	305.2.2	Openings in the barrier shall not allow passage of a 4 inch diameter sphere.	Aquateine openings are maximum 4 inches in between members.
Conform	305.2.3	Solid barrier that do not have openings shall not contain indentations or protrusions that form handholds and footholds, except for normal construction tolerances and tooled masonry joints.	Aquateine has no solid barriers, picket sections only.
N/A	305.2.4	A swimming pool screen enclosure shall be permitted to be utilized as part, or all, of a required barrier provided that the enclosure complies with the requirements of Section 305.2. Such screen enclosures shall be designed by a registered design professional. Walls of such screen enclosures shall not be considered to be dwelling walls.	Aquateine is not a screen enclosure.
N/A	305.2.4.1	The mesh utilized in the barrier portion of the screen enclosure shall have a tensile strength of not less than 100 pounds per square foot when tested in accordance with ASTM D5034 and a ball burst strength of not less than 150 pounds per square foot when tested in accordance with ASTM D3787.	Aquateine is not a screen enclosure.

Table 1.1 2024 ISPSC Requirements

Result	Clause	Description	Comment
N/A	305.2.5	Mesh fences, other than chain link fences in accordance with Section 305.2.8, shall be installed in accordance with the manufacturer's instructions and shall comply with ASTM F2286 and with both of the following: <ol style="list-style-type: none"> 1. Where a hinged gate is used with a mesh fence, the gate shall comply with Section 305.3. 2. Mesh fences shall not be installed on top of onground residential pools. 	Aquatine is not a mesh fence.
N/A	305.2.5.1	The inside of a mesh fence shall not closer than 20 inches to the nearest edge of the water of a pool or spa.	Does not apply. No mesh barriers on the system.
N/A	305.2.6	Where the barrier is composed of horizontal and vertical members and the distance between the tops of the horizontal members is less than 45 inches, the horizontal members shall be located on the pool or spa side of the fence. Spacing between vertical members shall not exceed 1¾ inches in width. Where there are decorative cutouts within vertical members, spacing within the cutouts shall not exceed 1 ¾ inches in width.	Aquatine top and bottom rails spaced 45-½ inches apart.
Conform	305.2.7	Where the barrier is composed of horizontal and vertical members and the distance between the tops of the horizontal members is 45 inches or more, spacing between the vertical members shall not exceed 4 inches. Where there are decorative cutouts within vertical members, the interior width of the cutouts shall not exceed 1 ¾ inches.	Aquatine barrier vertical members have 4 inch maximum spacing in between members.
N/A	305.2.8	The maximum opening formed by a chain link fence shall be not more than 1 ¾ inches. Where the fence is provided with slats fastened at the top and bottom that reduce the openings, such opening shall be not greater than 1 ¾ inches	Aquatine system has no chain link barriers.
N/A	305.2.9	Where the barrier is composed of diagonal members, the maximum opening formed by the diagonal members shall be not greater than 1 ¾ inches. The angle of diagonal members shall be not greater than 45 degrees from vertical.	Aquatine barrier has no diagonal members.
Conform	305.2.10	Where equipment, including pool equipment such as pumps, filters and heaters, is on the same lot as a pool or spa and such equipment is located outside the barrier protecting the pool or spa, such equipment shall be located not less than 36 inches from the outside of the barrier.	Aquatine barrier requires 48 inch clear zone on both sides of the fence.

Table 1.1 2024 ISPSC Requirements

Result	Clause	Description	Comment
Conform	305.3	Door and gates in barriers shall comply with the requirements of Sections 305.3.1 through 305.3.3 and shall be equipped to accommodate a locking device. Pedestrian access doors and gates shall open outward away from the pool or spa, shall be self-closing and shall have a self-latching device. Doors and gates shall not swing over stairs.	Aquateine gate is equipped with self-latching device, hinge self closes, opens away from the pool.
N/A	305.3.1	Doors and gates not intended for pedestrian use, such as utility or service doors and gates, shall remain locked when not in use.	This does not apply. No utility or service doors or gates in the system.
N/A	305.3.2	Double doors and gates or multiple doors and gates shall have not fewer than one leaf secured in place and the adjacent leaf shall be secured with a self-latching device.	No double or multiple doors or gates in the system.
Conform	305.3.3.1	Where door and gate latch release mechanism are accessed from the outside of the barrier and are not of the self-locking type, such mechanism shall be located above the finished floor or ground surface in accordance with the following: <ul style="list-style-type: none"> At public pools and spa, not less than 52 inches and not greater than 54 inches. At residential pools and spas, not less than 54 inches. 	Aquateine barrier system is located not less than 54 inches from grade or finished floor for residential pools and spa.
N/A	305.3.3.2	Where door and gate latch release mechanisms are of the self-locking type such as where the lock is operated by means of a key, an electronic opener or the entry of a combination into an integral combination lock, the lock operation control and the latch release mechanism shall be located above the finished floor or ground surface in accordance with the following: <ul style="list-style-type: none"> At public pools and spas, not less than 34 inches and not greater than 48 inches. At residential pools and spas, at not greater than 54 inches. 	Aquateine gate latch is not self-locking. This does not apply.
N/A	305.3.3.3	At private pools, where the only latch release mechanism of a self-latching device for a gate is located on the pool and spa side of the barrier, the release mechanism shall be located at a point that is at least 3 inches below the top of the gate.	Aquateine gate latch is located on the outside of the gate. This does not apply.
N/A	305.3.4	Where a latch release mechanism is located on the inside of a barrier, openings in the door, gate and barrier within 18 inches of the latch shall not be greater than ½ inch in any dimension.	Aquateine gate latch is located on the outside of the gate. This does not apply.

Table 1.1 2024 ISPSC Requirements			
Result	Clause	Description	Comment
N/A	305.4	Structure/Dwelling wall as a barrier.	Does not apply to the Aquatine fence system
N/A	305.5	Onground residential pool structure as a barrier.	Does not apply to the Aquatine fence system.
N/A	305.6	Natural barriers.	Does not apply to the Aquatine fence system.
N/A	305.7	Natural topography.	Does not apply to the Aquatine fence system.
N/A	305.8	<p>Outdoor public pools provided with barriers shall have means of egress as required by Chapter 10 of the International Building Code (2024).</p> <p>IBC 1010.2.3 Door handles, pulls, latches, locks, and other operating devices shall be installed 34 inches minimum and 48 inches maximum above the finished floor.</p> <p>Exception: Where the ISPSC requires restricting access to a pool, spa or hot tub, and where door and gate latch release mechanisms are accessed from the outside of the barrier and are not of the self-locking type, such a mechanism shall be located above the finished floor or ground surface not less than 52 inches and not greater than 54 increase provided that the latch release mechanism is not a self-locking type such as where the lock is operated by means of a key, electronic opener or the entry of a combination into an integral combination lock.</p>	Aquatine barrier system intended to be used as residential or private use.

This review is based on information and drawings provided by Peak Products for the elements listed above.

3. CONCLUSION

The Peak® Aluminum Fencing Aquatine™ system meets the requirements within the following applicable code sections:

- 2024 International Swimming Pool and Spa Code (ISPSC)
 - Section 305 - Barrier Requirements

The limitations of compliance are defined in the Peak® Aluminum Fencing Aquatine™ assembly drawings presented in Appendix A.

Yours truly,

MTE Consultants Inc.



2024-05-07

Kurt Ruhland, P.Eng.

Vice President

519-743-6500 ext. 1236

kruhland@mte85.com

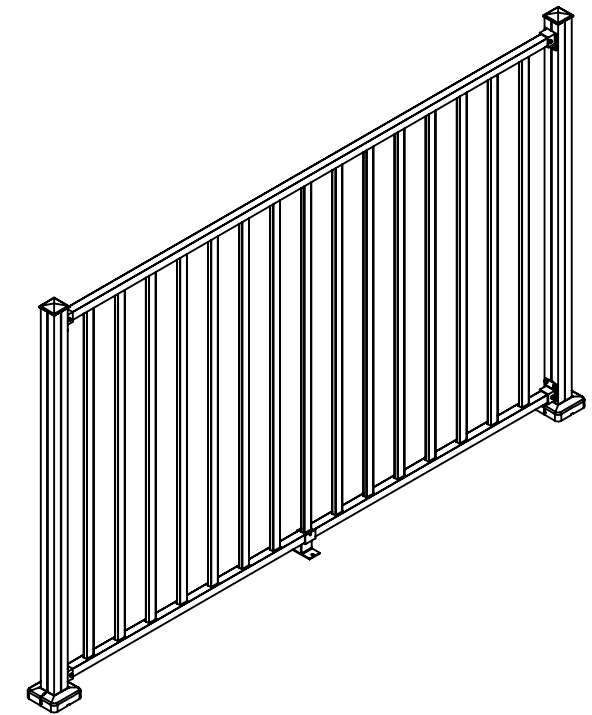
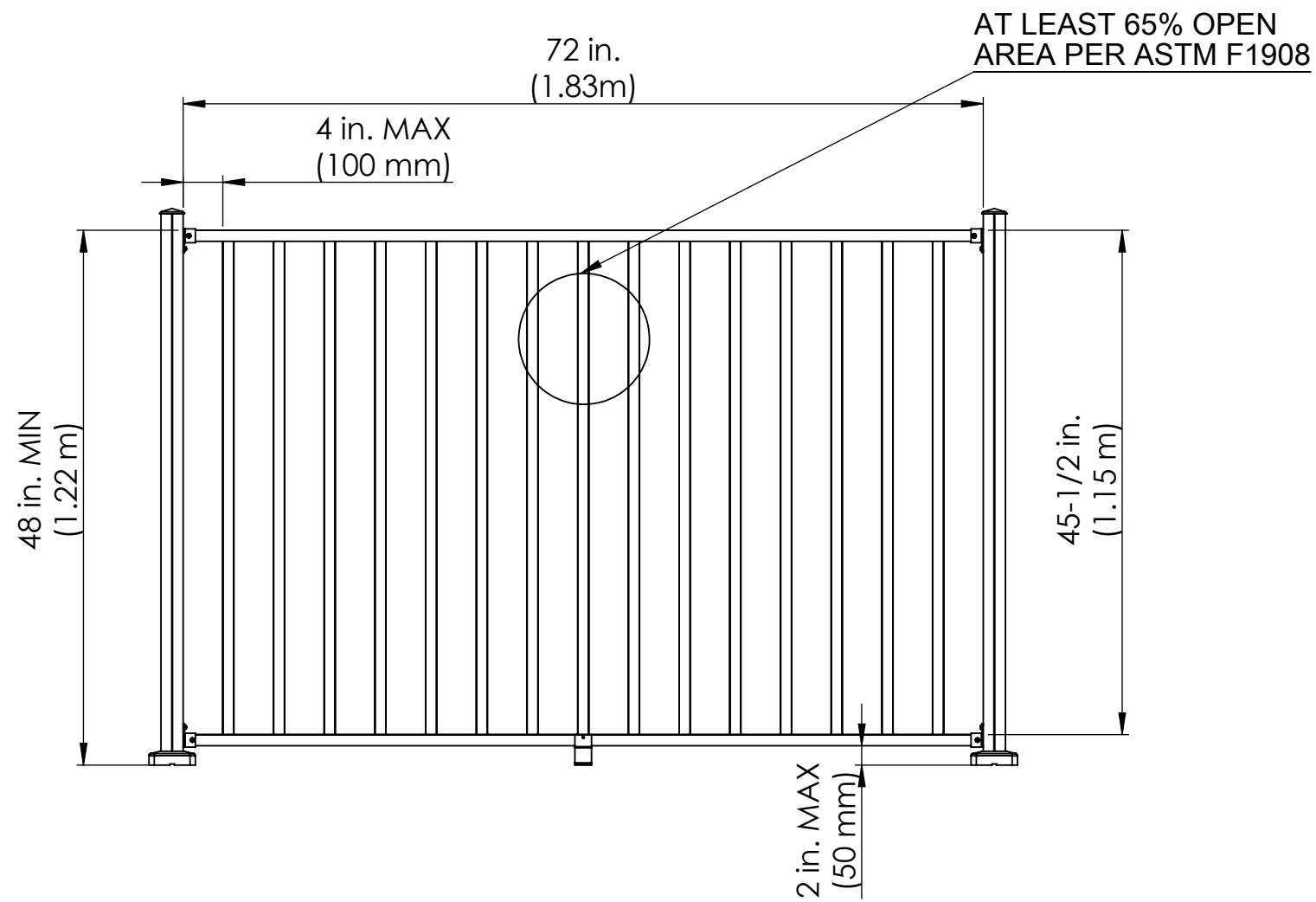
KUR: smk

Attach.

M:\45332\101\1. Aquatine for ISPSC\45332-101_itr rpt_Aquatine for ISPSC_2024-05-07.docx

Appendix A

Assembly Drawings



TITLE
AQUATINE™ 6' Picket Section (Hard Surface)

PART FILE
 Picket section-4ft

DWG REV A

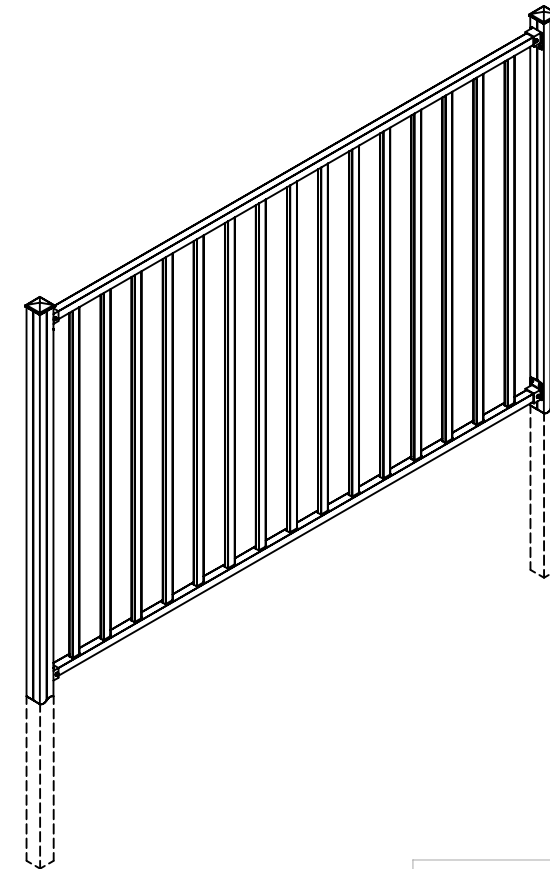
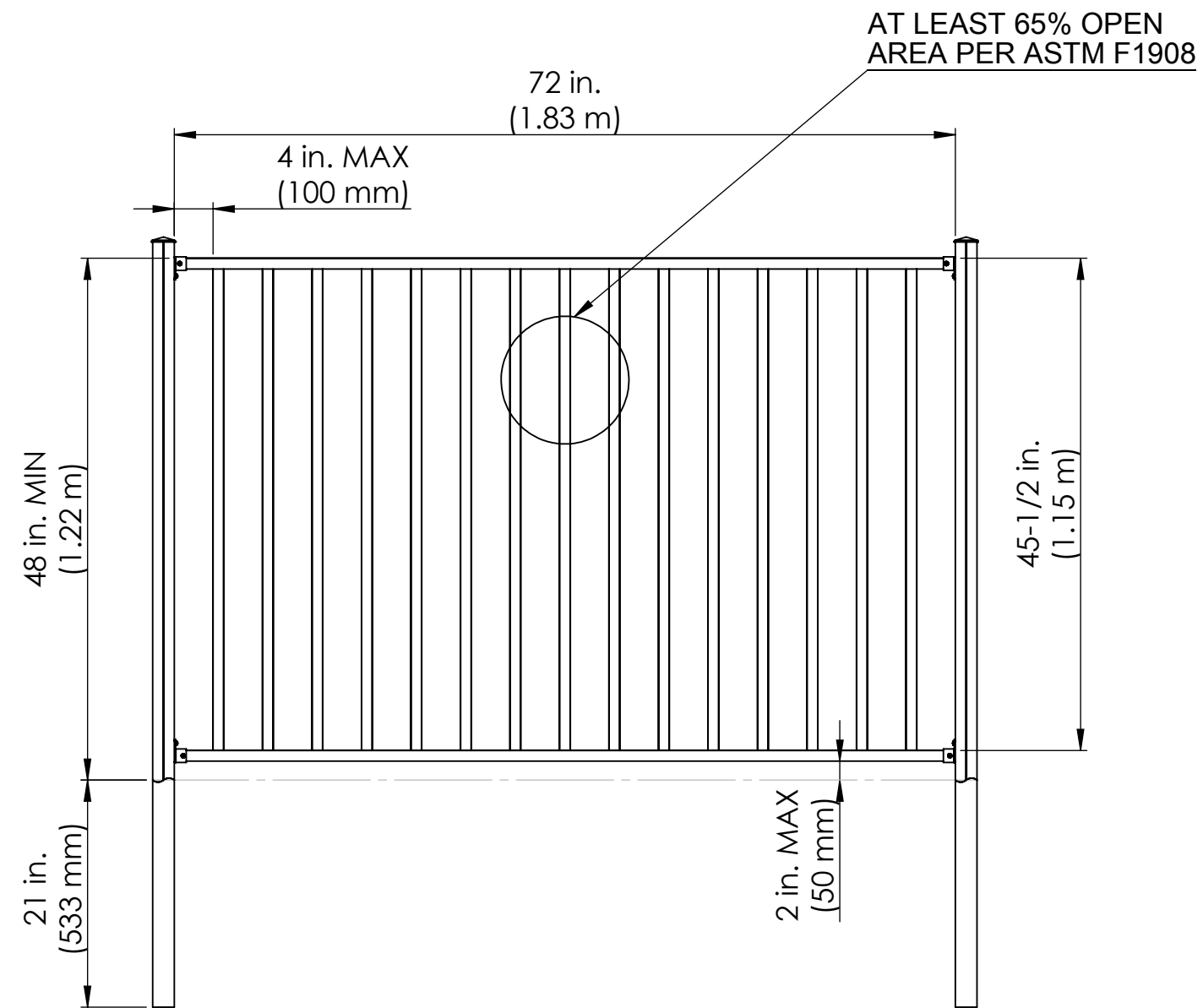
DIMENSIONS ARE IN MM UNLESS NOTED
 DO NOT SCALE DRAWING

PROPRIETARY AND CONFIDENTIAL
 THE INFORMATION CONTAINED IN THIS DRAWING IS THE SOLE PROPERTY OF THE PEAK GROUP OF COMPANIES. ANY REPRODUCTION IN PART OR AS A WHOLE WITHOUT THE WRITTEN PERMISSION OF THE PEAK GROUP OF COMPANIES IS PROHIBITED.

SIZE DWG. NO.
B Picket section-4ft

SCALE: 1:50 SHT REV 2015-03-03-A SHEET 1 OF 3

DESCRIPTION	SKU
4' Post - Hard Surface	56003, 56004
4'H x 6'W Picket Rail Kit	56113, 56114
Picket Bracket Kit	56901, 56902
Picket Angle Bracket Kit	56911, 56912



TITLE
AQUATINE™ 6' Picket Section (Soft Surface)

PART FILE
 Picket Section- in ground - 4ft

DWG REV **A**

DIMENSIONS ARE IN MM UNLESS NOTED
 DO NOT SCALE DRAWING

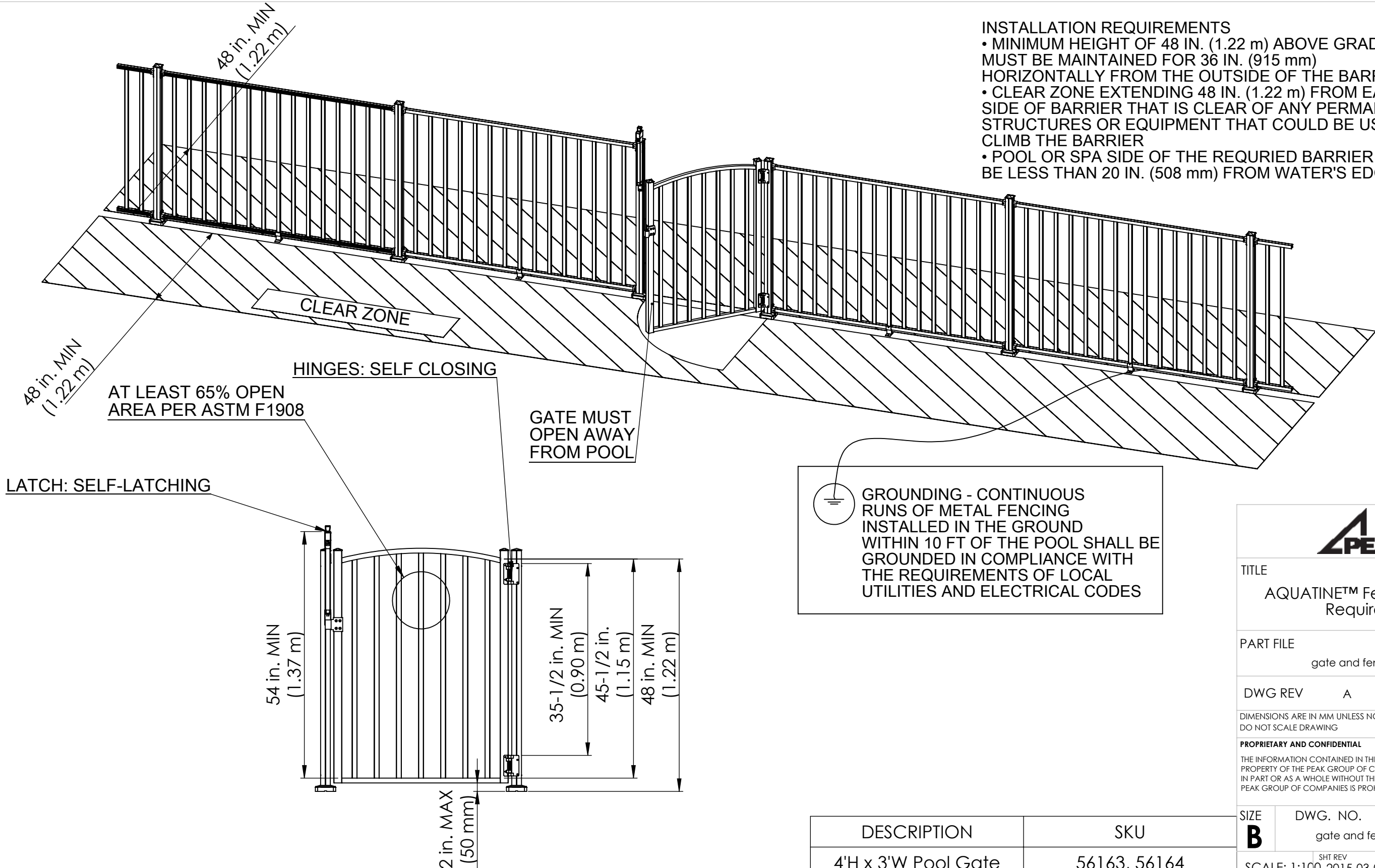
PROPRIETARY AND CONFIDENTIAL
THE INFORMATION CONTAINED IN THIS DRAWING IS THE SOLE PROPERTY OF THE PEAK GROUP OF COMPANIES. ANY REPRODUCTION IN PART OR AS A WHOLE WITHOUT THE WRITTEN PERMISSION OF THE PEAK GROUP OF COMPANIES IS PROHIBITED.

SIZE **B** DWG. NO.
 Picket Section- in ground - 4ft

SCALE: 1:50 SHT REV 2015-03-03-A SHEET 2 OF 3

DESCRIPTION	SKU
4' Post - Soft Surface	56013, 56014
4'H x 6'W Picket Rail Kit	56113, 56114
Picket Bracket Kit	56901, 56902
Picket Angle Bracket Kit	56911, 56912

- INSTALLATION REQUIREMENTS**
- MINIMUM HEIGHT OF 48 IN. (1.22 m) ABOVE GRADE MUST BE MAINTAINED FOR 36 IN. (915 mm) HORIZONTALLY FROM THE OUTSIDE OF THE BARRIER
 - CLEAR ZONE EXTENDING 48 IN. (1.22 m) FROM EACH SIDE OF BARRIER THAT IS CLEAR OF ANY PERMANENT STRUCTURES OR EQUIPMENT THAT COULD BE USED TO CLIMB THE BARRIER
 - POOL OR SPA SIDE OF THE REQUIRED BARRIER SHALL NOT BE LESS THAN 20 IN. (508 mm) FROM WATER'S EDGE



GROUNDING - CONTINUOUS RUNS OF METAL FENCING INSTALLED IN THE GROUND WITHIN 10 FT OF THE POOL SHALL BE GROUNDED IN COMPLIANCE WITH THE REQUIREMENTS OF LOCAL UTILITIES AND ELECTRICAL CODES



TITLE
AQUATINE™ Fence and Gate Requirements

PART FILE
gate and fence layout-4ft

DWG REV A

DIMENSIONS ARE IN MM UNLESS NOTED
DO NOT SCALE DRAWING

PROPRIETARY AND CONFIDENTIAL
THE INFORMATION CONTAINED IN THIS DRAWING IS THE SOLE PROPERTY OF THE PEAK GROUP OF COMPANIES. ANY REPRODUCTION IN PART OR AS A WHOLE WITHOUT THE WRITTEN PERMISSION OF THE PEAK GROUP OF COMPANIES IS PROHIBITED.

SIZE **B** DWG. NO.
gate and fence layout-4ft

SCALE: 1:100 SHT REV 2015-03-03-A SHEET 3 OF 3

DESCRIPTION	SKU
4'H x 3'W Pool Gate	56163, 56164